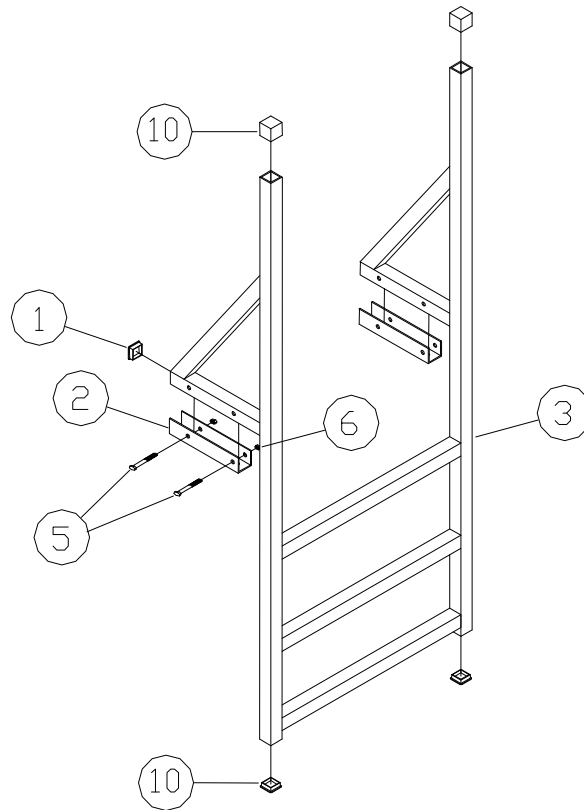


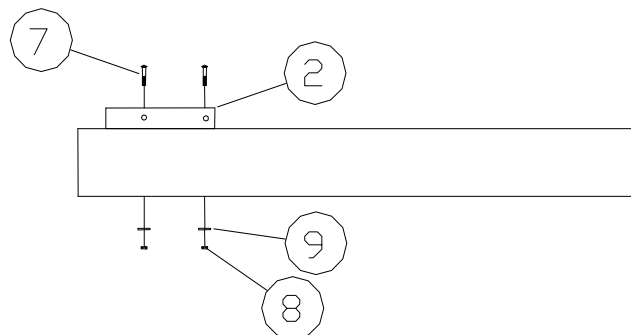
## PORTA-DOCK, INC. C105 MULTI-DOCK LADDER

**Thank you for purchasing our product!**  
**\*Please read these instructions and follow them step by step.**

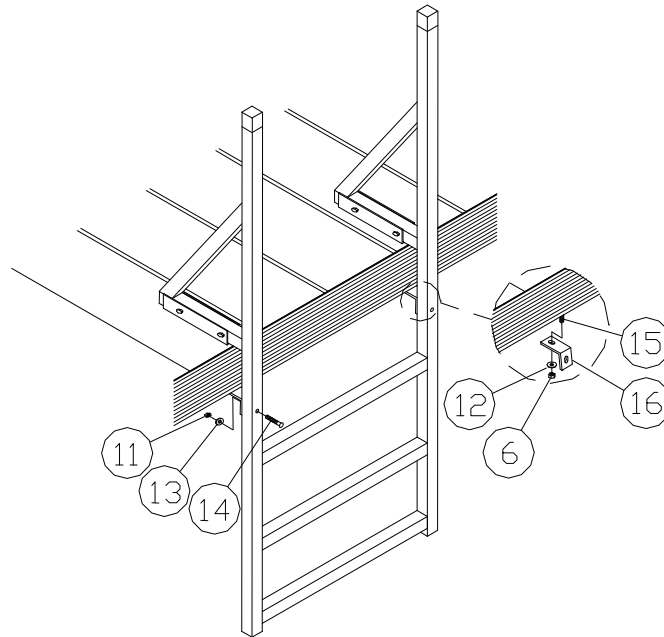
**Step 1.** Drive the end caps (**Ref. # 1**) into the bottom ends and horizontal arms of the ladder. Place the gray caps (**Ref. # 10**) onto the ladder uprights. Temporarily bolt mounting channels (**Ref. # 2**) to ladders horizontal arms (**Ref. # 3**) with 3/8" x 2" bolts and nuts (**Ref. # 5 & 6**). Set the ladder in desired location with the channels a 1/2" from the outside of the frame. Trace the outline of each mounting channel onto the deck. Remove mounting channels from ladder and place them in the same direction onto the traced outlines and mark the hole locations. Drill the four holes with a 3/8" drill bit.



**Step 2.** Align mounting channels with holes in deck. Place 5/16" x 1 1/2" carriage bolt (**Ref. # 7**) through channels and decking, secure with a 5/16" fender washer and nut (**Ref. # 9 & 8**). Place ladder into the mounting channels and secure in place with 3/8" x 2" bolts and nuts (**Ref. # 5 & 6**).



**Step 3.** Mount the ladder mounting angles (REF. NO. 16) to the bottom of the dock by sliding two 3/8" X 1" carriage bolt (REF. NO. 15) into the access holes in the bottom of the frame bolt the angles on with 3/8" washers and nuts (REF. NO. 12 & 6) leave loose at this time. Slide the angles so the slotted hole is lined up with the hole in the ladder; bolt the angle to the ladder with 1/4" X 2 1/2" carriage bolts washers, and nuts (REF. NO. 14, 13, & 11). Tighten all bolts at this time.



REF. NO.	PART NO.	DESCRIPTION	QTY
1	3816	1 1/2" END CAPS	4
2	30195	PD LADDER BRACKET	2
3	C45	PD.LADDER ASSEMBLY	1
5	5082	3/8" X 2" BOLT	4
6	5056	3/8" NUT	6
7	5212	5/16" X 1 1/2" CARRIAGE BOLT	4
8	5054	5/16" NUT	4
9	5213	5/16" FENDER WASHER	4
10	3810	1 1/2" GRAY CAP	2
11	5055	1/4" NUT	2
12	5070	3/8" WASHER	2
13	5075	1/4" WASHER	2
14	5185	1/4" X 2 1/2" CARRIAGE BOLT	2
15	5193	3/8" X 1 CARRIAGE BOLT	2
16	60165	LADDER MOUNTING ANGLE	2