

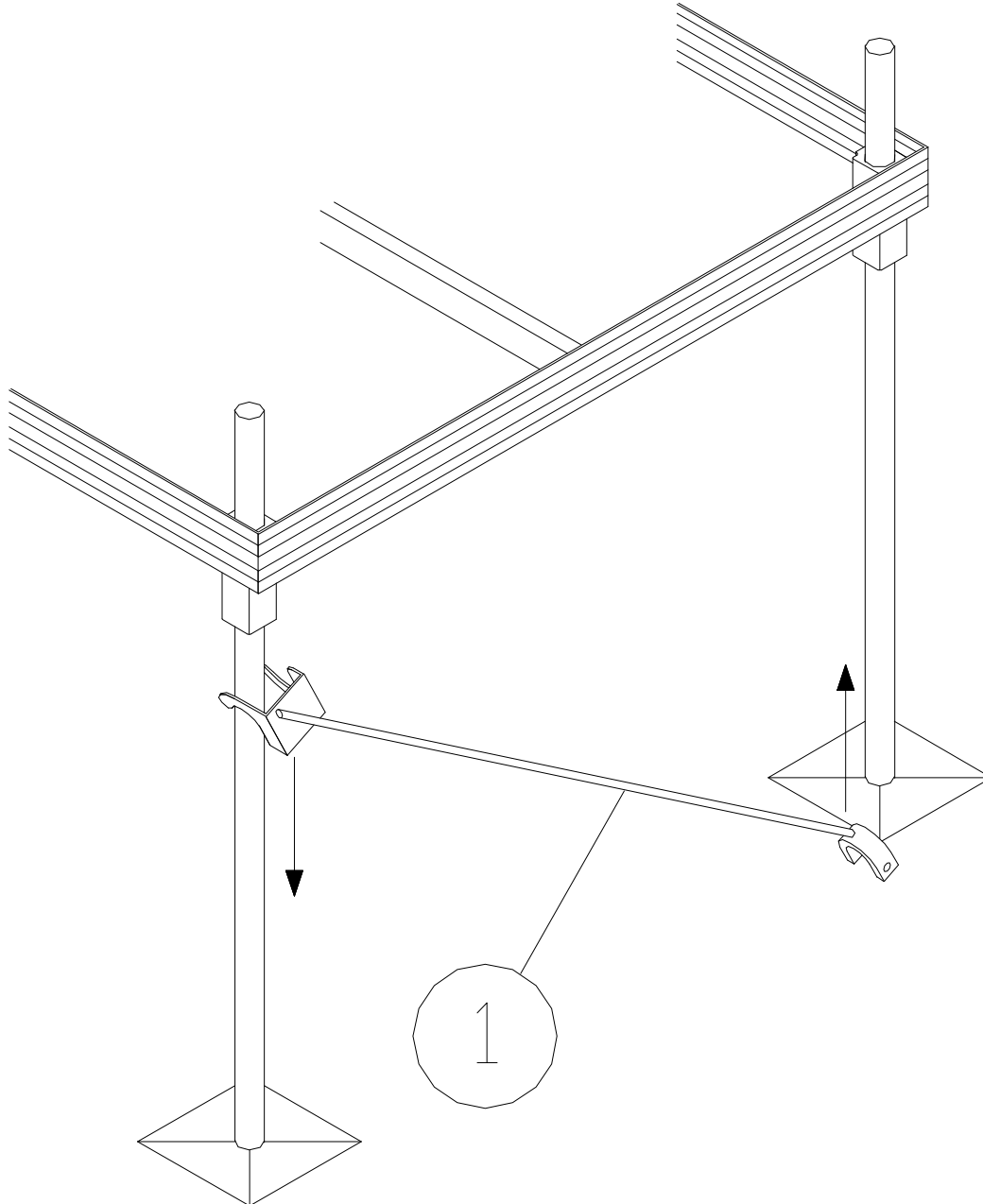
PORTA-DOCK, INC.

C130 STABILIZER KIT FOR 4' POST DOCK **C132 STABILIZER KIT FOR 5' POST DOCK**

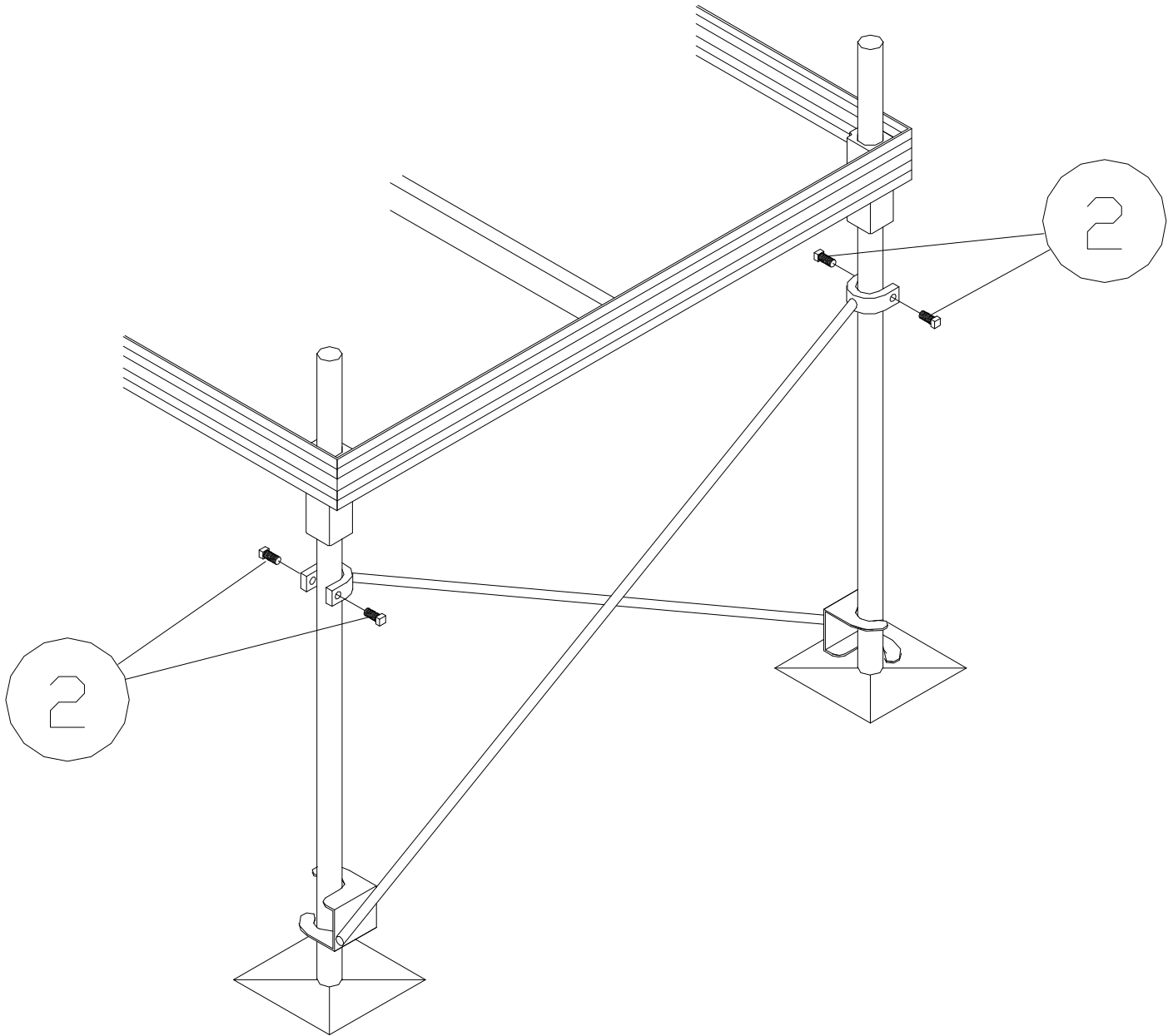
Thank you for purchasing our product!

Please read these instructions and follow them step by step.

Step 1. Turn the stabilizer bar so the yolk is facing down and toward the other post. Slip the bracket around the post and slide the bracket end down the post while bringing the yolk part up to the top of the other post, bending the rod so the yolk will go onto the post.



Step 2. Once both stabilizer bars are on the legs secure in place with 1” set screws.



REF. #	PART #	DESCRIPTION	4' QTY	5' QTY
1	54F	4' PD STABILIZER BAR	2	-
	55F	5' PD STABILIZER BAR	-	2
2	5189	BOLT 3/8" X 3/4" HEX HEAD	4	4