

PORTA-DOCK, INC
WHEEL DOCK LADDER
***C09 3 STEP * C10 4 STEP**

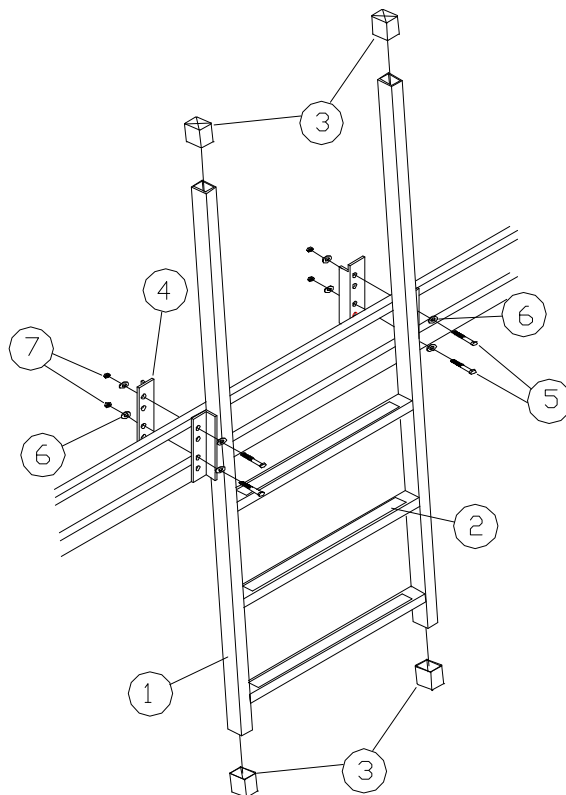
Thank you for purchasing our product!

***Please read these instructions and follow them step by step.**

Step 1. Peel the backing off the non-slip strips (**Ref. # 2**) and fasten one to the center of each step. Place the rectangular post caps (**Ref. # 3**) on each end of the ladder.

Step 2. Bolt the ladder (**Ref. # 1**) to the side or end of your dock using 3/8" x 2 1/2" bolts, washers, and nuts (**Ref. # 5, 6, & 7**) and rear backer angle (**Ref. # 4**). Bolt so that you are using the holes that align just below the top tube and above the bottom tube of the dock. The rear backer angle should have the notch end up and away from the top tube. Place washers on both the bolt and nut side.

REF. #	PART #	DESCRIPTION	QTY
1	C16	3 STEP LADDER	1
1	C15	4 STEP LADDER	1
2	4116	NON SLIP STRIPS 18"	3-4
3	3803	RECTANGULAR POST CAPS	4
4	30193	REAR BACKER ANGLE	2
5	5083	3/8" X 2 1/2" BOLT	4
6	5070	3/8" WASHER	8
7	5056	3/8" NUT	4



Porta-Dock, Inc.