

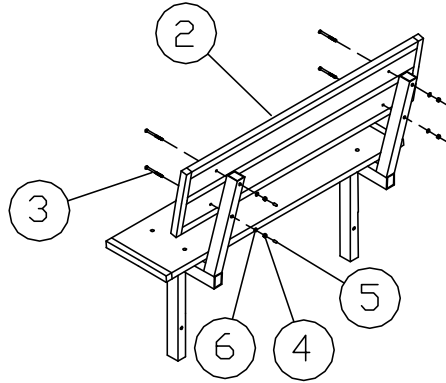
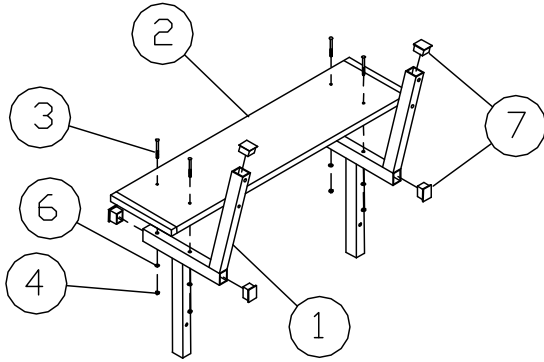
## PORTA-DOCK, INC.

### C04\*C04B-H12\*H12B\*C03\*C03B\*C13\*C13B\* BENCH SEAT AND BACK MOUNTING

Thank you for purchasing our product.

Please read these instructions and follow them step by step.

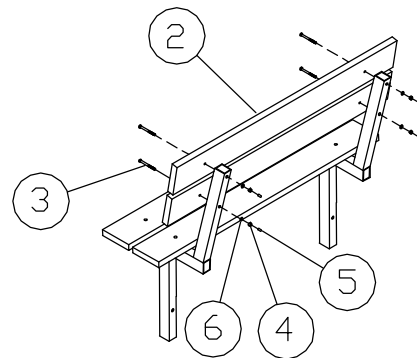
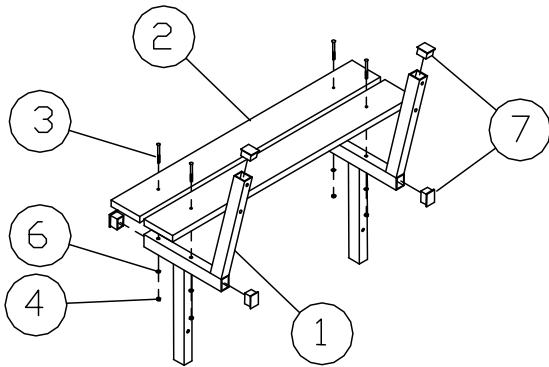
**Step 1.** Pound the black plastic caps (**REF. # 7**) into the top, front, and back of the bench sides. Bolt the seat (**REF. # 2**) of the bench to the bench sides (**REF. # 1**) using 1/4" X 3" carriage bolts, washers, and nuts (**REF. # 3, 6, & 4**).



#### ALUMINUM

**Step 2.** Bolt the back of the bench (**REF. # 2**) to the bench sides using 1/4" X 3" carriage bolts, washers, and nuts (**REF. # 3, 6, & 4**). Cap the bolts that are sticking through the back of the bench with 1/4" bolt caps (**REF. # 5**). NOTE: if installing the bench with a post dock mounting bracket, install the post dock support bracket onto the backrest support tube before bolting on the backrest (see post dock bracket kit instructions).

#### ALUMINUM



#### CEDAR

#### CEDAR

REF. #	Part #	Description	Qty
1	G13	BENCH SIDE	2
2	C71 (B)	ALUMINUM SEAT & BACK 48" WHITE/BEIGE	2
	F28 (B)	ALUMINUM SEAT & BACK 60" WHITE/BEIGE	2
	30200	CEDAR SEAT & BACK 44"	4
	50244	CEDAR SEAT & BACK 56"	4
3	5183	1/4" X 3" CARRIAGE BOLT	8
4	5055	1/4" NUT	8
5	4509	1/4" CAP	4
6	5075	1/4" WASHER	8
7	3816	CAP 1 1/2" I.D. BLACK PLASTIC	6

Porta-Dock, Inc.