

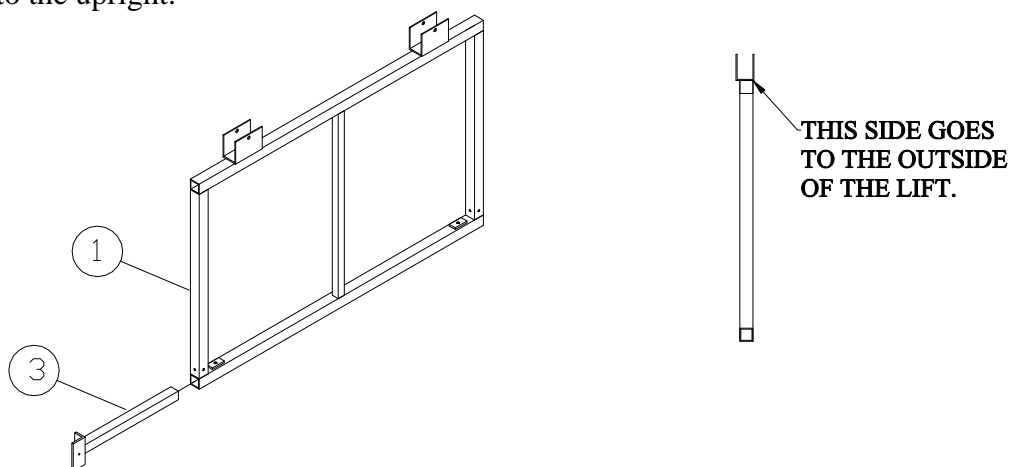
## PORTA-DOCK INC. CANOPY EXTENSION FRAMES

**Thank you for purchasing our product!**  
**\*Please read these instructions and follow them step by step.\***

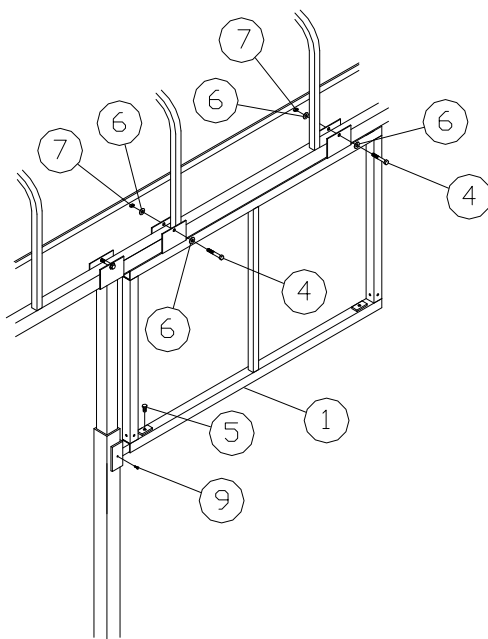
Depending on the position of your canopy on the lift the extension frames can be bolted in different locations. If you have a standard side lift, two 48 inch sections will be installed between the lift uprights. If you have a long side lift a 48 inch section and a 68 inch section will be installed between the lift uprights. The rest of the extension frames will be bolted in place where they fit the best.

Note: The channel on the top of the extension frame is offset. The side of the frame where the angle is offset less will be to the outside of the lift as shown on the end view.

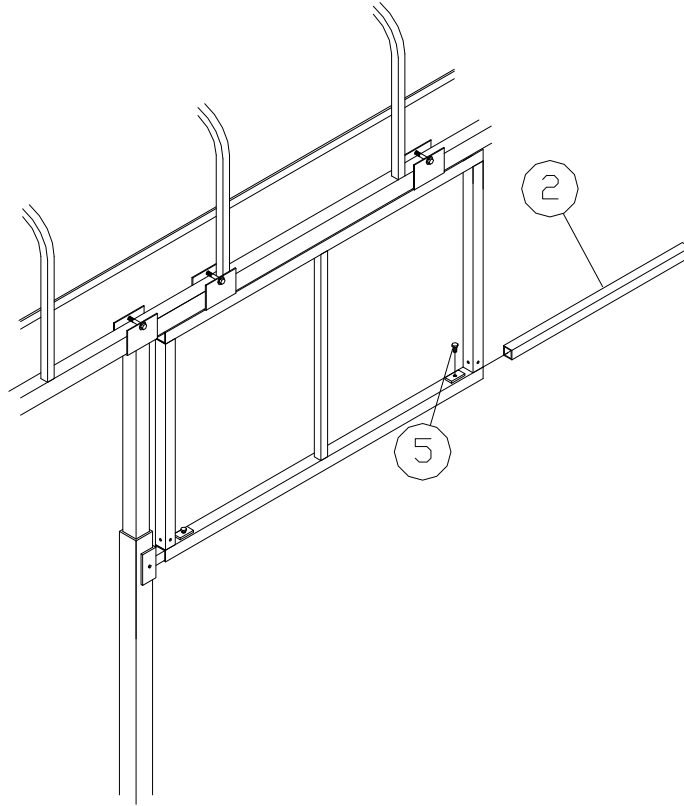
**Step 1.** The drop frame extensions that will be installed next to the lift uprights will need a brace tube (with the flat side of the angle facing out as shown) slid into the end of the extension frame that will be next to the upright.



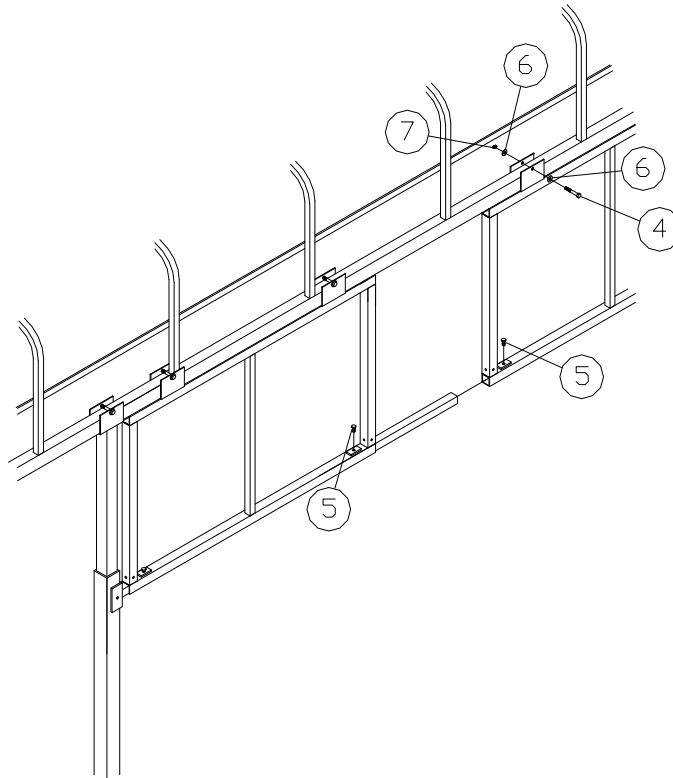
**Step 2.** Install the first section by bolting it to the bottom rail of the canopy frame with 3/8" X 2" bolts, 3/8" washers, and 3/8" nuts. Slide the brace tube so it is against the lift upright. Tighten in place with a 3/8" X 3/4" bolt. Fasten the angle of the brace to the winch upright with a self tapping screw.



**Step 3.** Slide a connecting tube into the bottom tube of the extension frame that was previously installed. Bolt the next extension frame to the bottom of the canopy frame. Slide the brace tube from the previously installed frame and into the frame that was just installed and secure with 3/8" X 3/4" bolt.



**Step 4.** Continue mounting extension frames in this manner until all frames are mounted.



**CD229 CANOPY DROP FRAME 22' X 113"/120" X 9'**

| <b>REF. NO.</b> | <b>PART NO.</b> | <b>DESCRIPTION</b>                      | <b>QTY</b> |
|-----------------|-----------------|---|------------|
| 1               | 72R             | CANOPY DROP FRAME EXTENSION 48"         | 6          |
|                 | 76R             | CANOPY DROP FRAME EXTENSION 24"         | 6          |
| 2               | 0993            | AL TB 1.25 X 1.25 X 30" CONNECTING TUBE | 6          |
| 3               | 47R             | CANOPY DROP FRAME EXTENSION BRACE       | 8          |
| 4               | 5083            | 3/8" X 2 1/2" BOLT                      | 24         |
| 5               | 5189            | 3/8" X 3/4" BOLT                        | 20         |
| 6               | 5070            | 3/8" WASHER                             | 48         |
| 7               | 5056            | 3/8" NUT                                | 24         |
| 8               | 3816            | SQUARE CAP 1 1/2" ID BLACK PLUG         | 28         |
| 9               |                 | SELF TAPPING SCREW                      | 4          |

**CD2211 CANOPY DROP FRAME 22' X 113"/120" X 11'**

| <b>REF. NO.</b> | <b>PART NO.</b> | <b>DESCRIPTION</b>                      | <b>QTY</b> |
|-----------------|-----------------|---|------------|
| 1               | 72R             | CANOPY DROP FRAME EXTENSION 48"         | 4          |
|                 | 74R             | CANOPY DROP FRAME EXTENSION 68"         | 2          |
|                 | 76R             | CANOPY DROP FRAME EXTENSION 24"         | 4          |
| 2               | 0993            | AL TB 1.25 X 1.25 X 30" CONNECTING TUBE | 6          |
| 3               | 47R             | CANOPY DROP FRAME EXTENSION BRACE       | 8          |
| 4               | 5083            | 3/8" X 2 1/2" BOLT                      | 24         |
| 5               | 5189            | 3/8" X 3/4" BOLT                        | 20         |
| 6               | 5070            | 3/8" WASHER                             | 48         |
| 7               | 5056            | 3/8" NUT                                | 24         |
| 8               | 3816            | SQUARE CAP 1 1/2" ID BLACK PLUG         | 28         |
| 9               |                 | SELF TAPPING SCREW                      | 4          |

**CD249 CANOPY DROP FRAME 24' X 113"/120" X 9'**

| <b>REF. NO.</b> | <b>PART NO.</b> | <b>DESCRIPTION</b>                      | <b>QTY</b> |
|-----------------|-----------------|---|------------|
| 1               | 72R             | CANOPY DROP FRAME EXTENSION 48"         | 8          |
|                 | 76R             | CANOPY DROP FRAME EXTENSION 24"         | 4          |
| 2               | 0993            | AL TB 1.25 X 1.25 X 30" CONNECTING TUBE | 6          |
| 3               | 47R             | CANOPY DROP FRAME EXTENSION BRACE       | 8          |
| 4               | 5083            | 3/8" X 2 1/2" BOLT                      | 24         |
| 5               | 5189            | 3/8" X 3/4" BOLT                        | 20         |
| 6               | 5070            | 3/8" WASHER                             | 48         |
| 7               | 5056            | 3/8" NUT                                | 24         |
| 8               | 3816            | SQUARE CAP 1 1/2" ID BLACK PLUG         | 28         |
| 9               |                 | SELF TAPPING SCREW                      | 4          |

**CD2411 CANOPY DROP FRAME 24' X 113"/120" X 11'**

| <b>REF. NO.</b> | <b>PART NO.</b> | <b>DESCRIPTION</b>                      | <b>QTY</b> |
|-----------------|-----------------|---|------------|
| 1               | 72R             | CANOPY DROP FRAME EXTENSION 48"         | 4          |
|                 | 74R             | CANOPY DROP FRAME EXTENSION 68"         | 2          |
|                 | 76R             | CANOPY DROP FRAME EXTENSION 24"         | 6          |
| 2               | 0993            | AL TB 1.25 X 1.25 X 30" CONNECTING TUBE | 6          |
| 3               | 47R             | CANOPY DROP FRAME EXTENSION BRACE       | 8          |
| 4               | 5083            | 3/8" X 2 1/2" BOLT                      | 24         |
| 5               | 5189            | 3/8" X 3/4" BOLT                        | 20         |
| 6               | 5070            | 3/8" WASHER                             | 48         |
| 7               | 5056            | 3/8" NUT                                | 24         |
| 8               | 3816            | SQUARE CAP 1 1/2" ID BLACK PLUG         | 28         |
| 9               |                 | SELF TAPPING SCREW                      | 4          |

**CD269 CANOPY DROP FRAME 26' X 113"/120" X 9'**

| <b>REF. NO.</b> | <b>PART NO.</b> | <b>DESCRIPTION</b>                      | <b>QTY</b> |
|-----------------|-----------------|---|------------|
| 1               | 72R             | CANOPY DROP FRAME EXTENSION 48"         | 6          |
|                 | 74R             | CANOPY DROP FRAME EXTENSION 68"         | 2          |
|                 | 76R             | CANOPY DROP FRAME EXTENSION 24"         | 4          |
| 2               | 0993            | AL TB 1.25 X 1.25 X 30" CONNECTING TUBE | 6          |
| 3               | 47R             | CANOPY DROP FRAME EXTENSION BRACE       | 8          |
| 4               | 5083            | 3/8" X 2 1/2" BOLT                      | 24         |
| 5               | 5189            | 3/8" X 3/4" BOLT                        | 20         |
| 6               | 5070            | 3/8" WASHER                             | 48         |
| 7               | 5056            | 3/8" NUT                                | 24         |
| 8               | 3816            | SQUARE CAP 1 1/2" ID BLACK PLUG         | 28         |
| 9               |                 | SELF TAPPING SCREW                      | 4          |

**CD2611 CANOPY DROP FRAME 26' X 113"/120" X 11'**

| <b>REF. NO.</b> | <b>PART NO.</b> | <b>DESCRIPTION</b>                      | <b>QTY</b> |
|-----------------|-----------------|---|------------|
| 1               | 72R             | CANOPY DROP FRAME EXTENSION 48"         | 6          |
|                 | 74R             | CANOPY DROP FRAME EXTENSION 68"         | 2          |
|                 | 76R             | CANOPY DROP FRAME EXTENSION 24"         | 4          |
| 2               | 0993            | AL TB 1.25 X 1.25 X 30" CONNECTING TUBE | 6          |
| 3               | 47R             | CANOPY DROP FRAME EXTENSION BRACE       | 8          |
| 4               | 5083            | 3/8" X 2 1/2" BOLT                      | 24         |
| 5               | 5189            | 3/8" X 3/4" BOLT                        | 20         |
| 6               | 5070            | 3/8" WASHER                             | 48         |
| 7               | 5056            | 3/8" NUT                                | 24         |
| 8               | 3816            | SQUARE CAP 1 1/2" ID BLACK PLUG         | 28         |
| 9               |                 | SELF TAPPING SCREW                      | 4          |

**CD289 CANOPY DROP FRAME 28' X 113"/120" X 9'**

| <b>REF. NO.</b> | <b>PART NO.</b> | <b>DESCRIPTION</b>                      | <b>QTY</b> |
|-----------------|-----------------|---|------------|
| 1               | 72R             | CANOPY DROP FRAME EXTENSION 48"         | 6          |
|                 | 74R             | CANOPY DROP FRAME EXTENSION 68"         | 2          |
|                 | 76R             | CANOPY DROP FRAME EXTENSION 24"         | 6          |
| 2               | 0993            | AL TB 1.25 X 1.25 X 30" CONNECTING TUBE | 8          |
| 3               | 47R             | CANOPY DROP FRAME EXTENSION BRACE       | 8          |
| 4               | 5083            | 3/8" X 2 1/2" BOLT                      | 28         |
| 5               | 5189            | 3/8" X 3/4" BOLT                        | 24         |
| 6               | 5070            | 3/8" WASHER                             | 56         |
| 7               | 5056            | 3/8" NUT                                | 28         |
| 8               | 3816            | SQUARE CAP 1 1/2" ID BLACK PLUG         | 32         |
| 9               |                 | SELF TAPPING SCREW                      | 4          |

**CD2811 CANOPY DROP FRAME 28' X 113"/120" X 11'**

| <b>REF. NO.</b> | <b>PART NO.</b> | <b>DESCRIPTION</b>                      | <b>QTY</b> |
|-----------------|-----------------|---|------------|
| 1               | 72R             | CANOPY DROP FRAME EXTENSION 48"         | 4          |
|                 | 74R             | CANOPY DROP FRAME EXTENSION 68"         | 4          |
|                 | 76R             | CANOPY DROP FRAME EXTENSION 24"         | 4          |
| 2               | 0993            | AL TB 1.25 X 1.25 X 30" CONNECTING TUBE | 8          |
| 3               | 47R             | CANOPY DROP FRAME EXTENSION BRACE       | 8          |
| 4               | 5083            | 3/8" X 2 1/2" BOLT                      | 28         |
| 5               | 5189            | 3/8" X 3/4" BOLT                        | 24         |
| 6               | 5070            | 3/8" WASHER                             | 56         |
| 7               | 5056            | 3/8" NUT                                | 28         |
| 8               | 3816            | SQUARE CAP 1 1/2" ID BLACK PLUG         | 32         |
| 9               |                 | SELF TAPPING SCREW                      | 4          |

**CD309 CANOPY DROP FRAME 30' X 113"/120" X 9'**

| <b>REF. NO.</b> | <b>PART NO.</b> | <b>DESCRIPTION</b>                      | <b>QTY</b> |
|-----------------|-----------------|---|------------|
| 1               | 72R             | CANOPY DROP FRAME EXTENSION 48"         | 4          |
|                 | 74R             | CANOPY DROP FRAME EXTENSION 68"         | 4          |
|                 | 76R             | CANOPY DROP FRAME EXTENSION 24"         | 6          |
| 2               | 0993            | AL TB 1.25 X 1.25 X 30" CONNECTING TUBE | 8          |
| 3               | 47R             | CANOPY DROP FRAME EXTENSION BRACE       | 8          |
| 4               | 5083            | 3/8" X 2 1/2" BOLT                      | 28         |
| 5               | 5189            | 3/8" X 3/4" BOLT                        | 24         |
| 6               | 5070            | 3/8" WASHER                             | 56         |
| 7               | 5056            | 3/8" NUT                                | 28         |
| 8               | 3816            | SQUARE CAP 1 1/2" ID BLACK PLUG         | 32         |
| 9               |                 | SELF TAPPING SCREW                      | 4          |

**CD3011 CANOPY DROP FRAME 30' X 113"/120" X 11'**

| <b>REF. NO.</b> | <b>PART NO.</b> | <b>DESCRIPTION</b>                      | <b>QTY</b> |
|-----------------|-----------------|---|------------|
| 1               | 72R             | CANOPY DROP FRAME EXTENSION 48"         | 2          |
|                 | 74R             | CANOPY DROP FRAME EXTENSION 68"         | 6          |
|                 | 76R             | CANOPY DROP FRAME EXTENSION 24"         | 4          |
| 2               | 0993            | AL TB 1.25 X 1.25 X 30" CONNECTING TUBE | 8          |
| 3               | 47R             | CANOPY DROP FRAME EXTENSION BRACE       | 8          |
| 4               | 5083            | 3/8" X 2 1/2" BOLT                      | 28         |
| 5               | 5189            | 3/8" X 3/4" BOLT                        | 24         |
| 6               | 5070            | 3/8" WASHER                             | 56         |
| 7               | 5056            | 3/8" NUT                                | 28         |
| 8               | 3816            | SQUARE CAP 1 1/2" ID BLACK PLUG         | 32         |
| 9               |                 | SELF TAPPING SCREW                      | 4          |