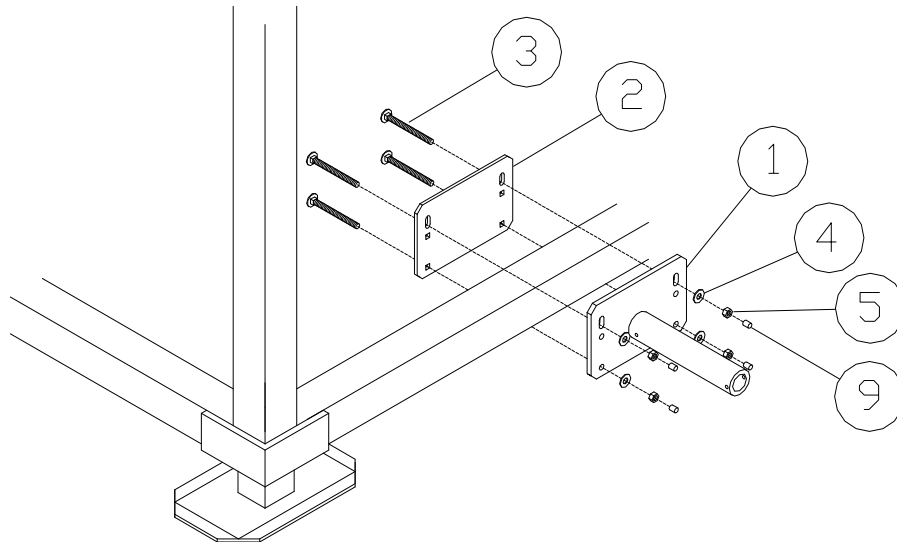


103B UNIVERSAL WHEEL KIT W/WHEELS **(FITS SQUARE TUBES UP TO 3 1/2")**

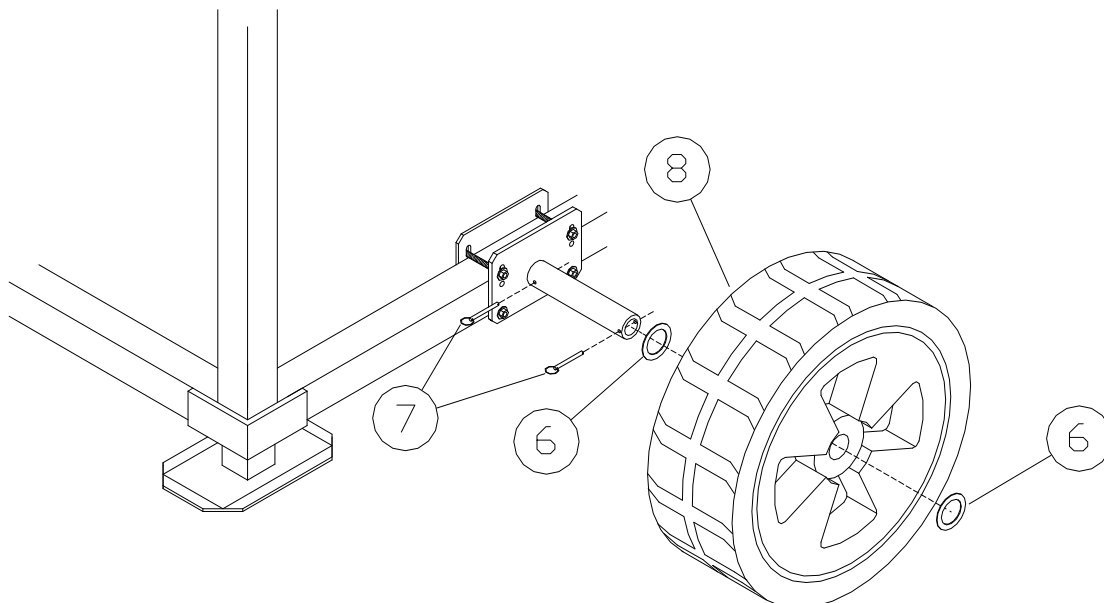
Thank you for purchasing our product!

Please read and follow these instructions step by step

STEP 1. Raise the bed of the lift so it is out of the way when installing the wheel kit. With the lift sitting on a level surface adjust the leveling legs on the lift to approximately 10" high. Bolt the axle stub and plate assembly (**Ref. No. 1**) to the bottom side tube in the desired position as shown using a backer plate, 3/8" X 5" carriage bolts, 3/8" washers, and 3/8" nuts (**Ref. No. 2, 3, 4, & 5**). **Note:** A set of 4" and 5" carriage bolts is supplied with each kit, use the 4" bolts for tubes up to 3 inches and use the 5" bolts for 3 1/2" tubes.



STEP 2. Place a pin (**Ref. No. 7**) through the holes in the axle stub that is closest to the plate, next slide a 3" washer (**Ref. No. 6**) onto the axle stub, then the tire (**Ref. No. 8**), and finally another 3" washer (**Ref. No. 6**). Place the pin (**Ref. No. 7**) through the remaining holes in the axle stub.



CAUTION: The weight of the lift must be supported by the leveling legs before the lift is used.

103B WHEEL KIT PARTS LIST

<u>REF #</u>	<u>PART #</u>	<u>DESCRIPTION</u>	<u>QTY</u>
1	79E	AXLE STUB AND PLATE ASSEMBLY	2
2	61090	BACKER PLATE	2
3	5275	3/8" X 4" CARRIAGE BOLT	8
	5197	3/8" X 5" CARRIAGE BOLT	8
4	5070	3/8" WASHER	8
5	5056	3/8" NUT	8
6	5077	3/8" OD WASHER	4
7	5270	1/4" X 2 1/4" COTTERLESS PIN	4
8	4002	PLASTIC TIRE	8
9	3828	3/8" X 1/2" PLASTIC CAP	8