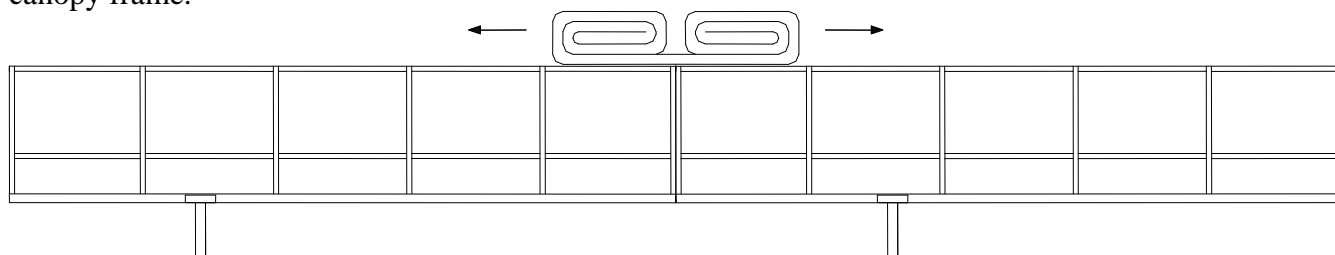




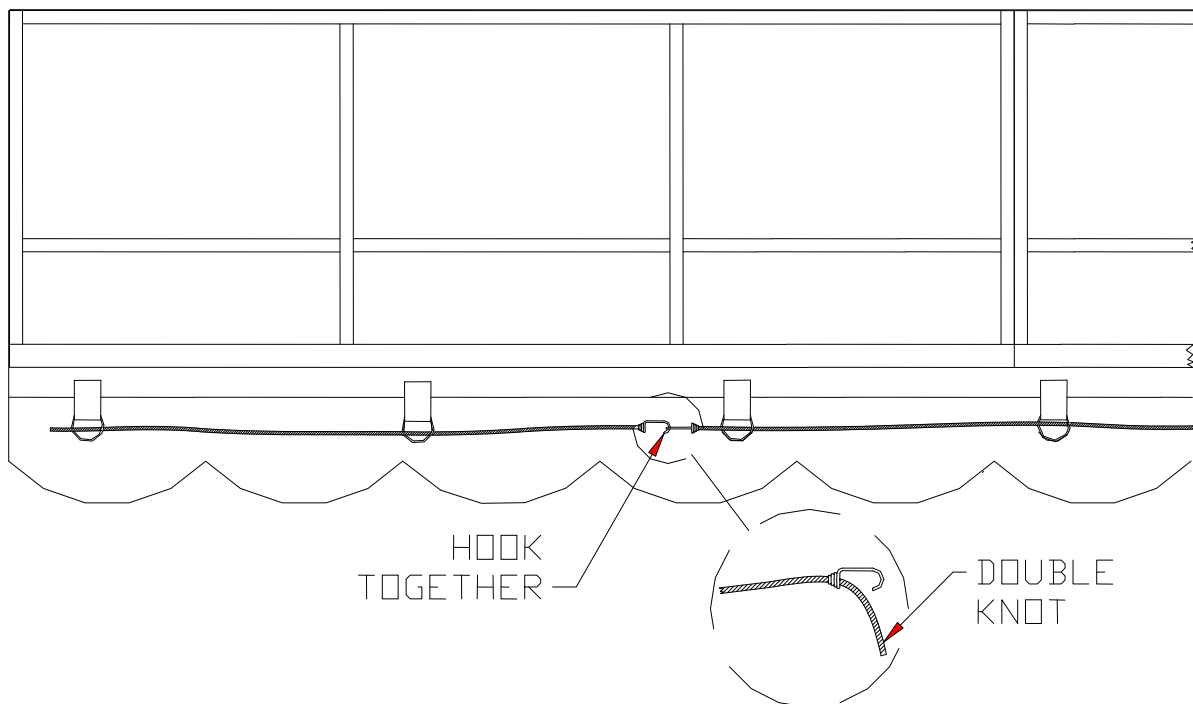
BOAT LIFT CANOPY INSTALLATION

Although the canopy frame has been deburred at the factory, after assembly, it is a good idea to check for any sharp edges or corners. Grind or file smooth, or cover with a few layers of duct tape or similar self-adhesive material.

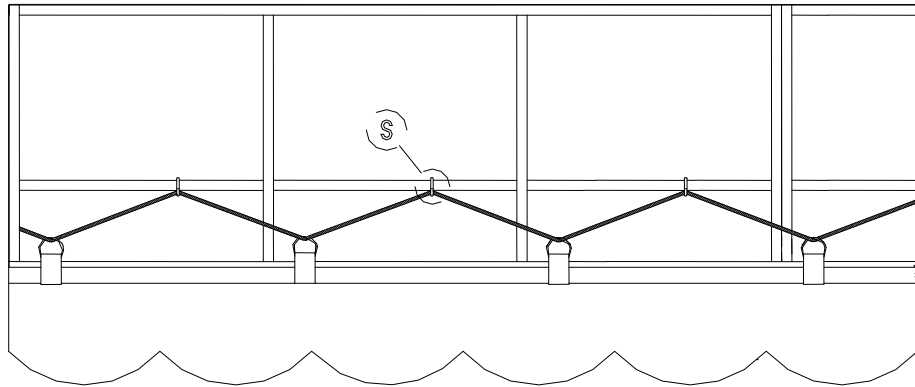
Remove the canopy from the carton and place it on the top of the canopy frame in the center and unfold the canopy outward to the ends of the frame. Unfold the canopy to the sides of the canopy frame.



Thread the shock cord through the "D" rings all the way around. Thread one end of the shock cord through a coil hook and tie a knot into the end of the shock cord to hold the coil hook in place. Thread the other end of the shock cord through the other coil hook and tie another knot so that the 2 coil hooks are 2 to 3 feet from each other without stretching the shock cord. Hook the 2 coil hooks together.



Using “S” hooks, fasten the shock cord to the frame between **each** of the “D” rings on the canopy. Hook a few on each end, then a few on each side, alternating back and forth to evenly tension the canopy. Be sure to use one “S” hook between every two “D” rings.



If cleaning becomes necessary, use mild soap and water solution and rinse thoroughly. Do not use detergents, solvents, or bleach. Do not fold up and store the canopy wet, always allow to air dry completely.

SHOCK CORD KIT

PART # CANOPY SIZE	SHOCK CORD LENGTH	3696 COIL HOOKS	3697 S HOOKS	
65" X 12'	35'	3584	2	20
113" X 14'	50'	3585	2	26
84" X 20'	55'	3586	2	32
96" X 20'	60'	3587	2	32
96" X 22'	60'	3587	2	34
108" X 20'	60'	3587	2	32
114" X 22'	65'	3588	2	34
114" X 24'	70'	3589	2	36
114" X 26'	75'	3590	2	38
114" X 28'	75'	3590	2	38
114" X 30'	80'	3591	2	42
120" X 22'	65'	3588	2	34
120" X 24'	70'	3589	2	36
120" X 26'	75'	3590	2	38
120" X 28'	80'	3591	2	42
120" X 30'	80'	3591	2	42