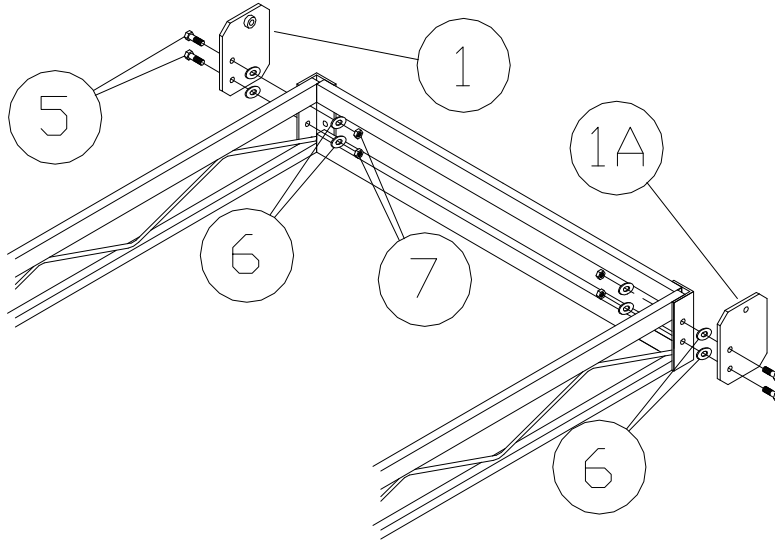


PORTA-DOCK, INC.
T46 DELUXE DOCK HINGE KIT

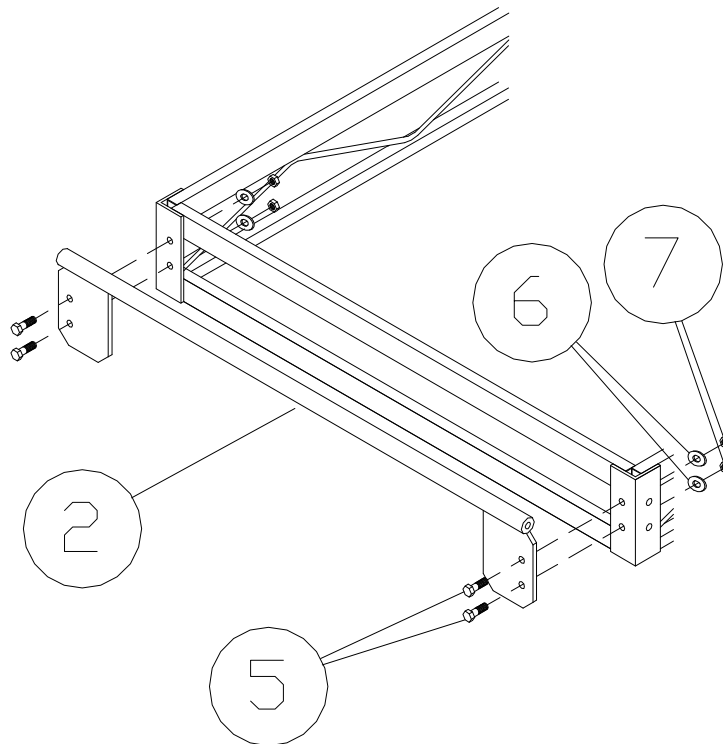
Thank you for purchasing our product!

Please read these instructions and follow them step by step.

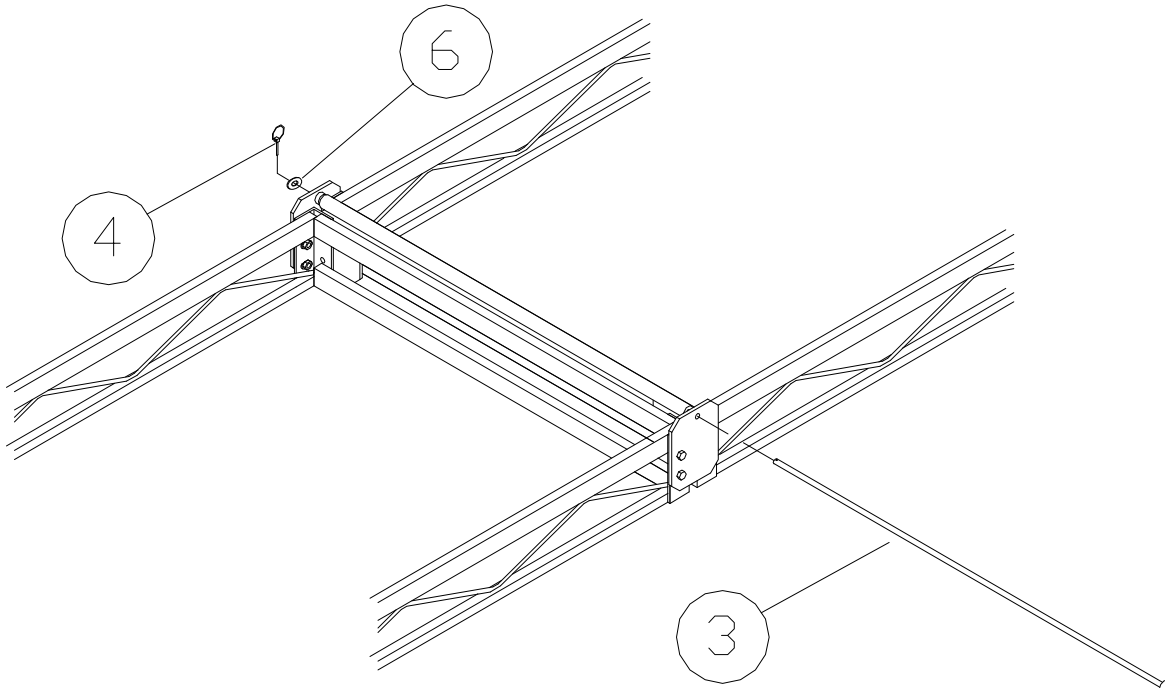
Step 1. Bolt the hinge kit side plates (**REF. # 1 & 1A**) with the bushings facing inward to the sides of the corner angles of the dock with washers between the plate and the dock with 1/2" X 1 1/4" bolts, washers, and nuts (**REF. # 5, 6, & 7**). Leave loose at this time.



Step 2. Bolt the hinge pipe bracket (**REF. # 2**) to the face of the other dock with 1/2" X 1 1/4" bolts, washers, and nuts (**REF. # 5, 6, & 7**).



Step 3. Slide the docks together and line up the top holes in the side plates with the pipe on the hinge bracket. Slide the Shaft (**REF. # 3**) through the holes and secure with a 1/2" washer and lynch pin (**REF. # 6 & 4**). Tighten the bolts in the side plates at this time.



REF. #	PART #	DESCRIPTION	QTY
1	09H	HINGE KIT SIDE PLATE LEFT	1
1A	08H	HINGE KIT SIDE PLATE RIGHT	1
2	07H	DLX HINGE PIPE BRACKET	1
3	14H	DLX HINGE SHAFT PIN	1
4	5101	3/16" LYNCH PIN	1
5	5126	1/2" X 1 1/4" BOLT	8
6	5071	1/2" WASHER	13
7	5058	1/2" NUT	8