

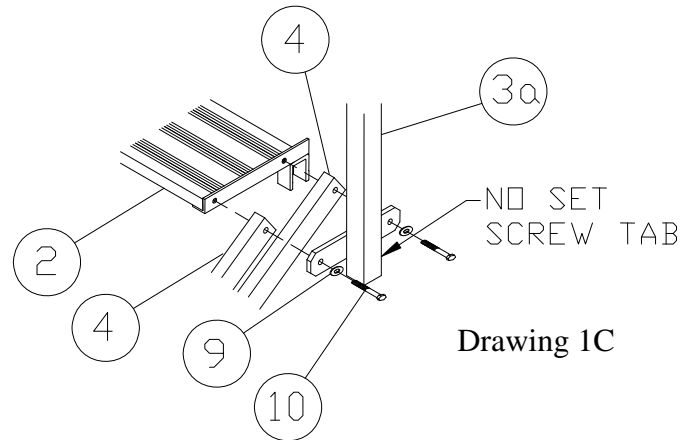
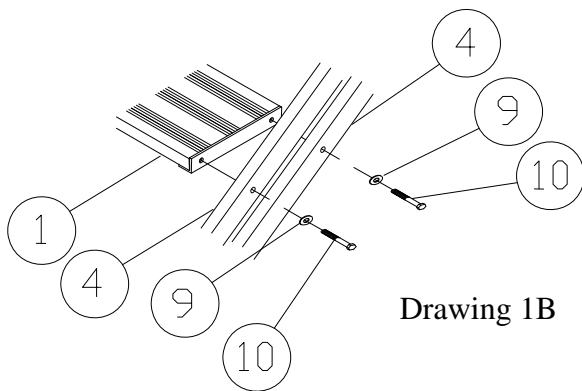
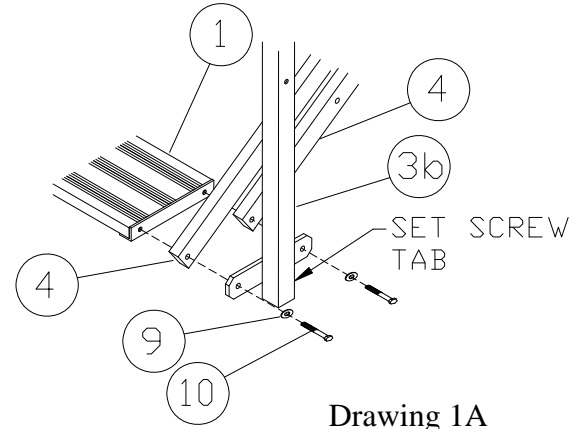
PORTA-DOCK, INC.

L55 WHITE ADJUSTABLE DOCK STEP L55B BEIGE ADJUSTABLE DOCK STEP

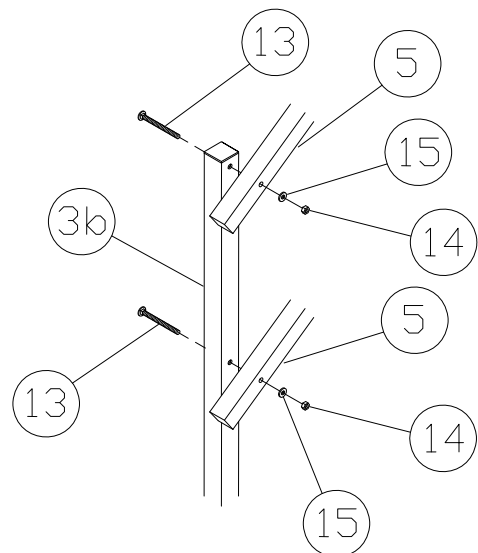
Thank you for purchasing our product!

Please read these instructions and follow them step by step.

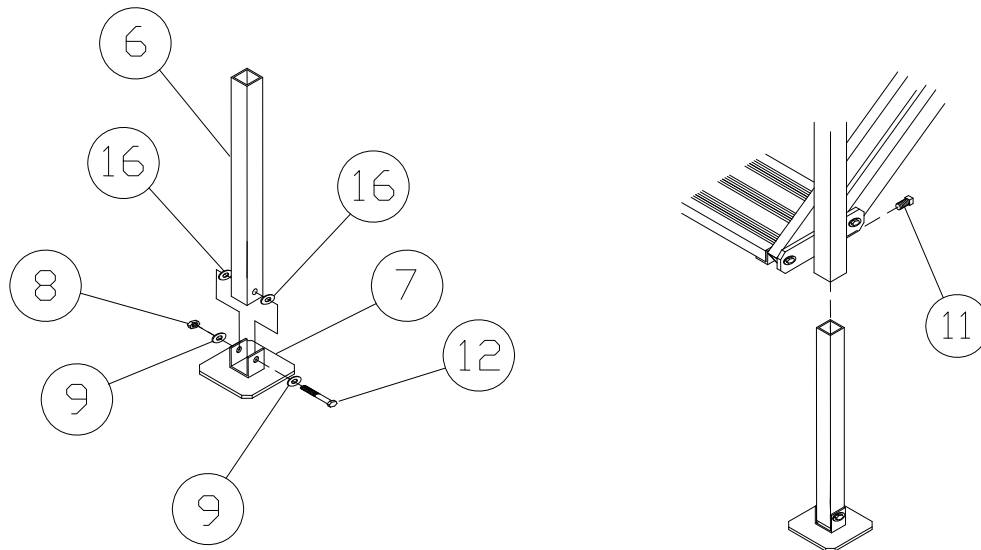
STEP 1. The steps (**Ref. No. 1**) are bolted to the side rails (**Ref. No. 4**) using 3/8" x 2" bolts and washers (**Ref. No. 10 & 9**). The bolts are threaded into the tapped holes in the side of the step and they must remain loose at this time. **Note: the side rails have two small drain holes that must be in the down position when the step is assembled.** Locate the bottom railing uprights, they have a welded tab with a tapped hole that will face the rear of the step. The bottom step, as shown in drawing 1A is assembled with a railing upright bracket on the outside of the rails as shown. The four middle steps are assembled to the side rails as shown in drawing 1B. The top step (**Ref. No. 2**) has the end cap angle running past the tread and a channel is welded to the bottom of the angle. It is assembled as show in drawing 1C with the top railing upright bracket on the outside of the rails as shown.



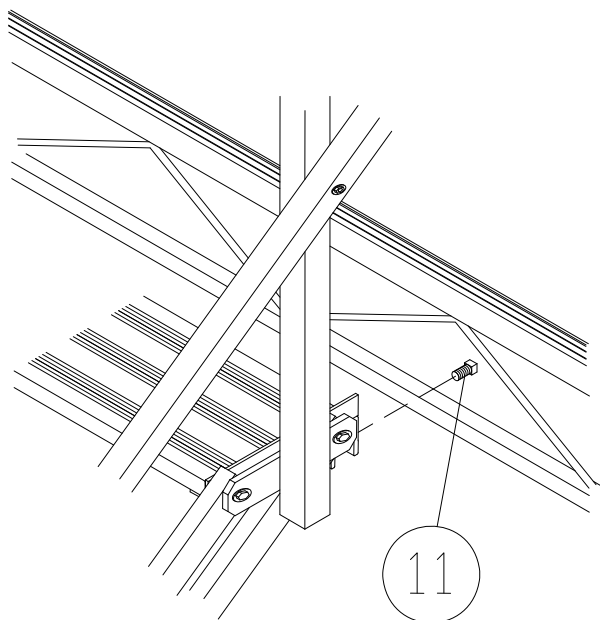
Step 2. Bolt the railing tubes (**Ref. No. 5**) to the outside of the railing uprights (**Ref. No. 3**) as shown with 5/16" x 3 1/2" carriage bolts, washers, and nuts (**Ref. No. 13, 15, & 14**). The bolts go through the railing upright tubes from the inside. Leave the bolts loose at this time.

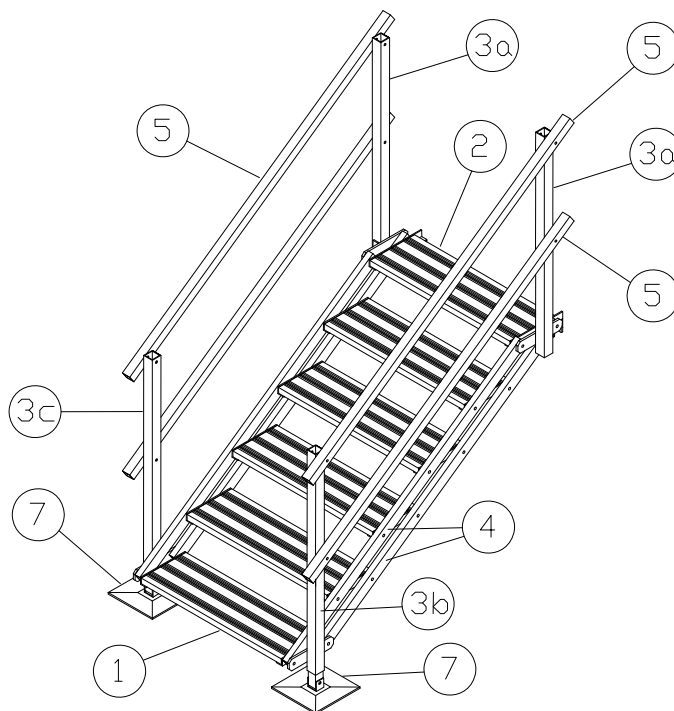


Step 3. Bolt the leveling leg foot pad (**Ref. No. 7**) to the leveling leg tube (**Ref. No. 6**) with a 3/8" x 2 1/2" bolt, 3/8" washers, 1/2" washers, and nylock nut (**Ref. No. 12, 9, 16, & 8**). **Note: the 1/2" washers go between the channel on the pad and the leg.** Tighten the nut so the nylon-locking ring is engaged but pad can still pivot. Slide the assembled leg into the railing upright as shown, temporarily secure the leg in place with 1/2" x 3/4" set screw (**Ref. No. 11**).



Step 4. Bolt the steps to the side of the dock by placing the channels on the top step over the bottom 1 x 1 tube on the dock and secure in place with 1/2" x 3/4" set screw (**Ref. No. 11**). Adjust the height of the legs so the steps are level and tighten all the bolts at this time. If you are in deeper water tighten the bolts that are above water, then remove the step from the dock, bring it to the shore and tighten all the bolts and reinstall it to the dock. **Note: If you are installing the step on a Post Dock or Multi-dock an additional mounting bracket is required.**





L55 & L55B ADJUSTBLE DOCK STEP
PARTS LIST

REF.#	PART #	DESCRIPTION	QTY
1	06M	WHITE STEP ADJUSTABLE DOCK STEP	5
	06MB	BEIGE STEP ADJUSTABLE DOCK STEP	5
2	15R	WHITE ADJUSTABLE DOCK STEP WITH MOUNTING BRKT	1
	15RB	BEIGE ADJUSTABLE DOCK STEP WITH MOUNTING BRKT	1
3a	16R	ADJUSTABLE DOCK STEP TOP RAILING UPRIGHT (NO TAB)	2
3b	17R	ADJUSTABLE DOCK STEP BOTTOM RIGHT RAILING UPRIGHT	1
3c	18R	ADJUSTABLE DOCK STEP BOTTOM LEFT RAILING UPRIGHT	1
4	60016	STEP SIDE RAIL	4
5	60018	ADJUSTABLE STEP RAILING	4
6	60022	STEP ADJUSTABLE LEVELING LEG TUBE	2
7	E34	LEVELING LEG FOOT	2
8	5038	3/8" LOCKNUT	2
9	5070	3/8" WASHER	28
10	5082	3/8" X 2" BOLT	24
11	5174	1/2" X 1" SET SCREW	2
12	5083	3/8" X 2 1/2" BOLT	2
13	5209	5/16" X 3 1/2" CARRIAGE BOLT	8
14	5054	5/16" NUT	8
15	5068	5/16" WASHER	8
16	5071	1/2" WASHER	4
17	3816	1 1/2" X 1 1/2" I.D. CAP (PRE INSTALLED)	12
18	3806	1" X 2" I.D. CAP (PRE INSTALLED)	8

Porta-Dock, Inc.