

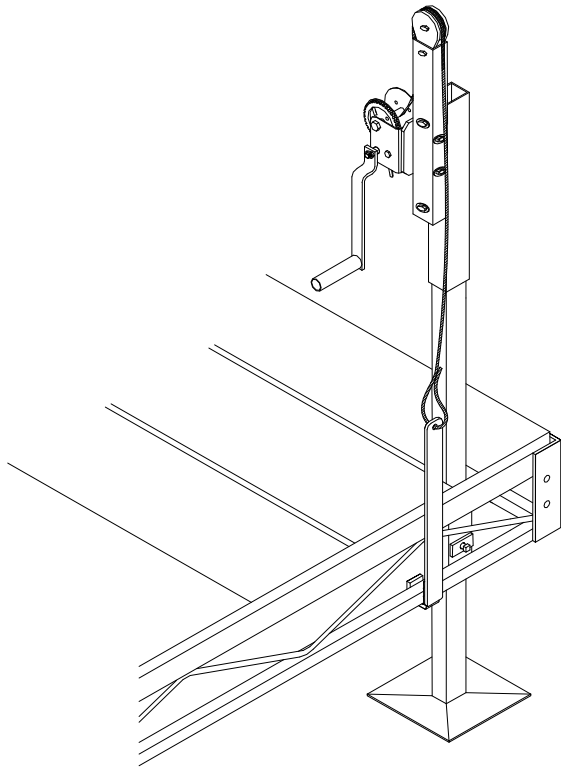
## **PORTA-DOCK, INC.**

### **C107 DOCK LEVELER FOR RECTANGULAR POSTS** **C108 DOCK LEVELER FOR 1.25" ROUND POSTS**

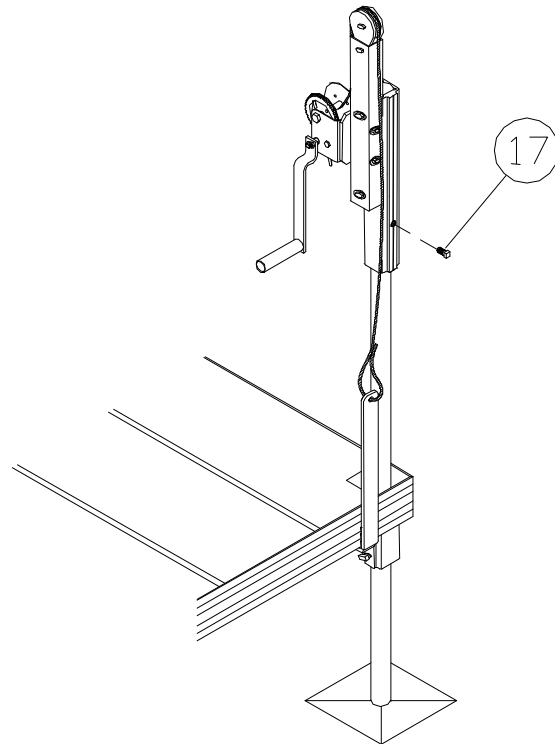
**Thank you for purchasing our product!**

**\*Please read these instructions and follow them step by step. \***

**STEP 1.** Slide the dock leveler onto the leg tube of the dock. On post dock models, secure the dock leveler in place with a 1/2" x 1" set screw (Ref. No. 17). Attach the hook (Ref. No. 4) to the dock and remove any slack from the rope. Loosen the set screw in the dock pocket. After adjusting dock, re-tighten set screw.



**APD MODELS**

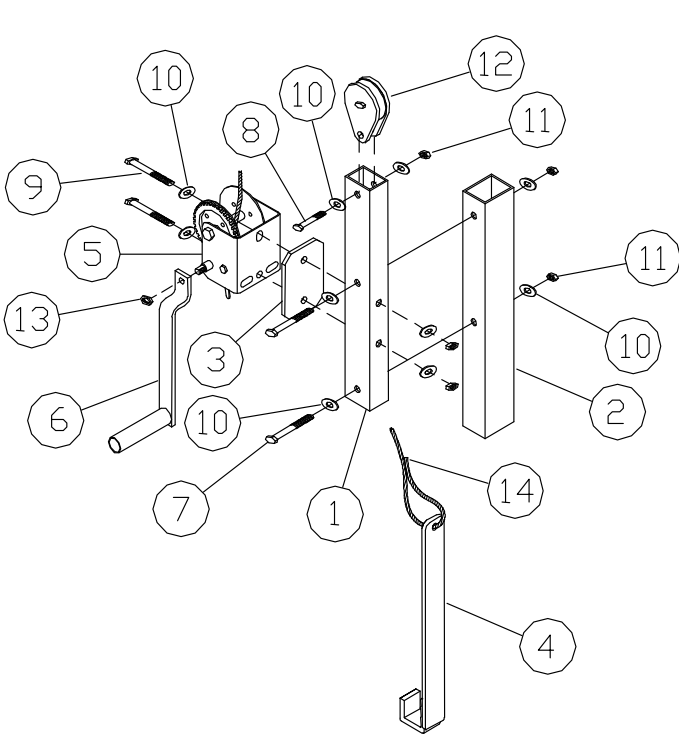


**POST DOCK MODELS**

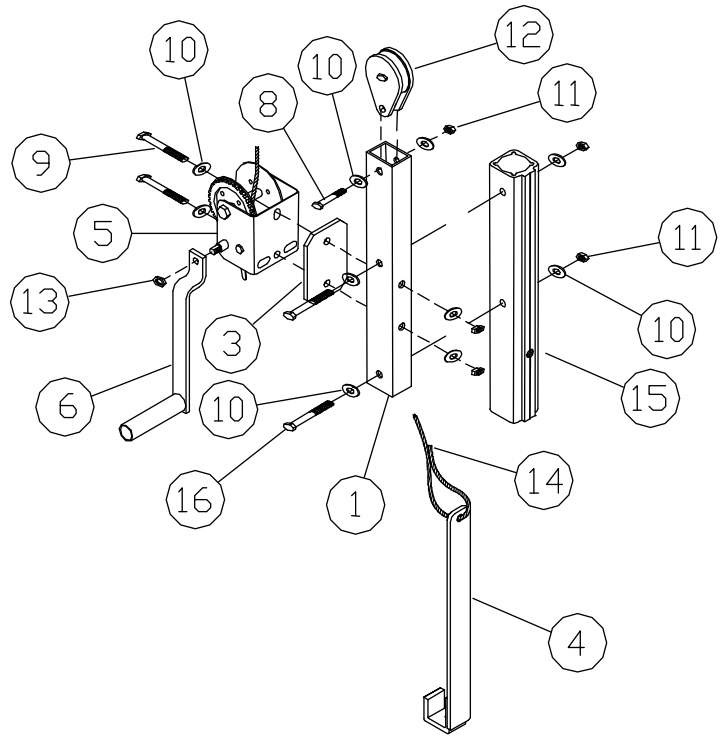
#### **CAUTION:**

**NEVER RELEASE WINCH HANDLE WHEN RATCHET LEVER IS IN UNLOCKED POSITION WITH LOAD ON WINCH.**

**THE ROPE IS U.V. SENSITIVE AND SHOULD NOT BE LEFT IN DIRECT SUNLIGHT FOR EXTENDED PERIODS OF TIME.**



**C107**



**C108**

**DOCK LEVELER PARTS LIST**

<b>REF#</b>	<b>PART#</b>	<b>DESCRIPTION</b>	<b>C107 QTY</b>	<b>C108 QTY</b>
1	50263	DOCK LEVELER WINCH TUBE	1	1
2	50265	DOCK LEVELER RECT. POST TUBE	1	-
3	50266	WINCH BACKER PLATE	1	1
4	66E	DOCK LEVELER HOOK	1	1
5	3009	WINCH DL900 W/ HARDWARE	1	1
6	3008	WINCH HANDLE DL	1	1
7	5089	3/8" X 4" BOLT	2	-
8	5082	3/8" X 2" BOLT	1	1
9	5084	3/8" X 3" BOLT	2	2
10	5070	WASHER 3/8"	10	10
11	5056	3/8" NUT	5	5
12	E91	DOCK LEVELER PULLEY ASSEMBLY	1	1
13	5066	WINCH NUT	1	1
14	3181	8' BRAIDED NYLON ROPE	1	1
15	50264	DOCK LEVELER 1.25" RD. POST TUBE	-	1
16	5087	3/8" X 4 1/2" BOLT	-	2
17	5174	1/2" X 1" SET SCREW	-	1