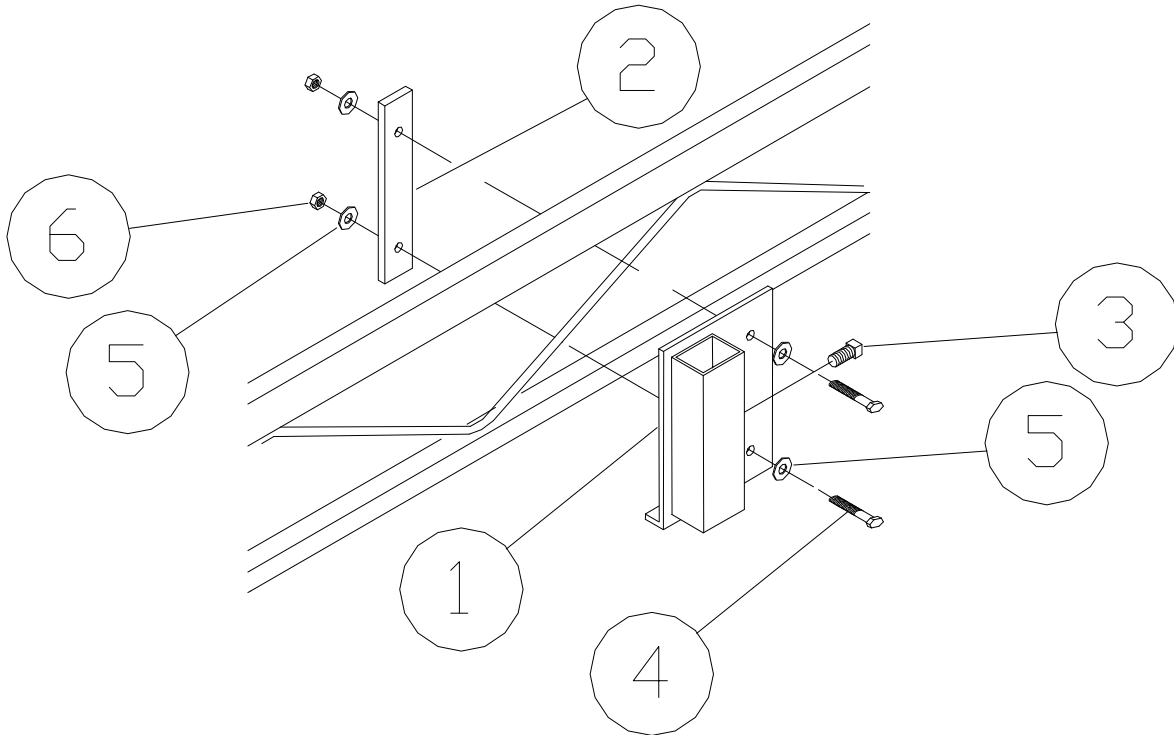


PORTA-DOCK, INC.**C41 ALUMINUM DOCK POST BRACKET**

Thank you for purchasing our product!

****Please read these instructions and follow them step by step. ****



| REF. # | PART # | DESCRIPTION | QTY |
|---------------|---------------|-------------------------------------|------------|
| 1 | C92 | ALUMINUM DOCK POST BRACKET | 1 |
| 2 | 10055 | STEEL BACKER PLATE FOR POST BRACKET | 1 |
| 3 | 5174 | 1/2" X 1 SET SCREW | 1 |
| 4 | 5083 | 3/8" X 2 1/2" BOLT | 2 |
| 5 | 5070 | 3/8" WASHER | 4 |
| 6 | 5056 | 3/8" NUT | 2 |