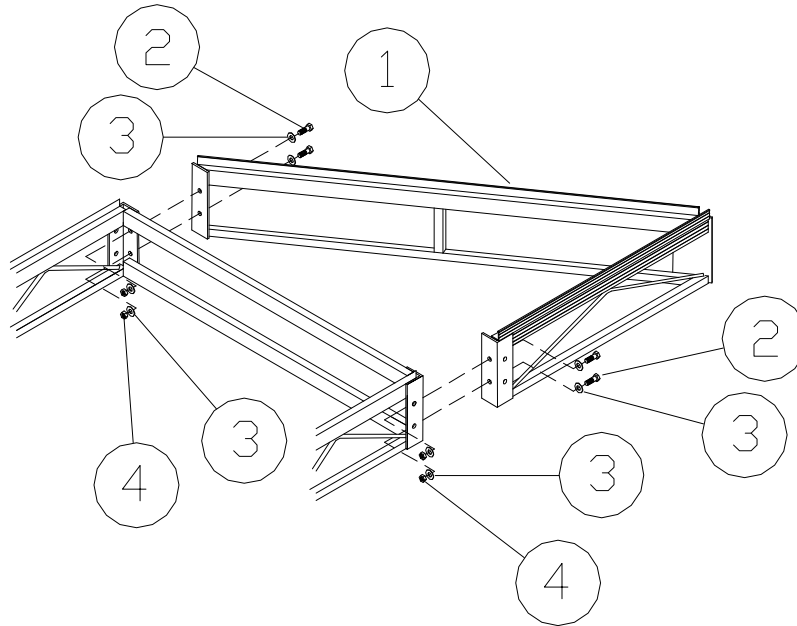
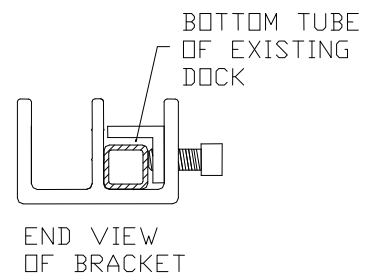
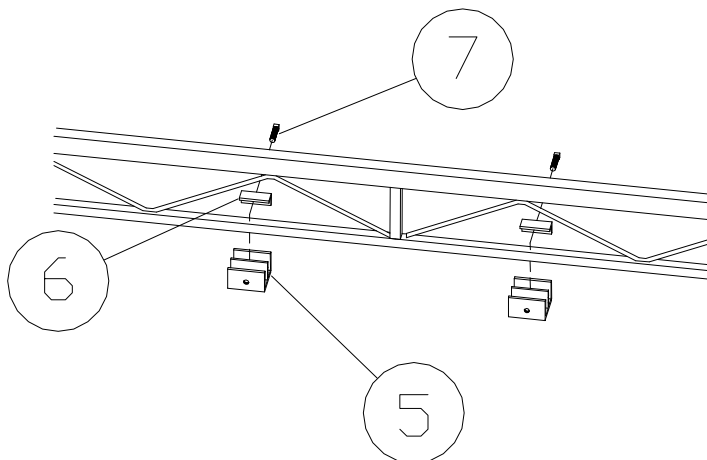


PORTA-DOCK, INC.**WHEEL DOCK ANGULAR DECK EXT.****R18 APD DS 4' ANGULAR DECK EXTENSION RIGHT****R19 APD DS 4' ANGULAR DECK EXTENSION LEFT****R16 CPD DS 4' ANGULAR DECK EXTENSION RIGHT****R17 CPD DS 4' ANGULAR DECK EXTENSION LEFT****Thank you for purchasing our product!****Please read these instructions and follow them step by step.***

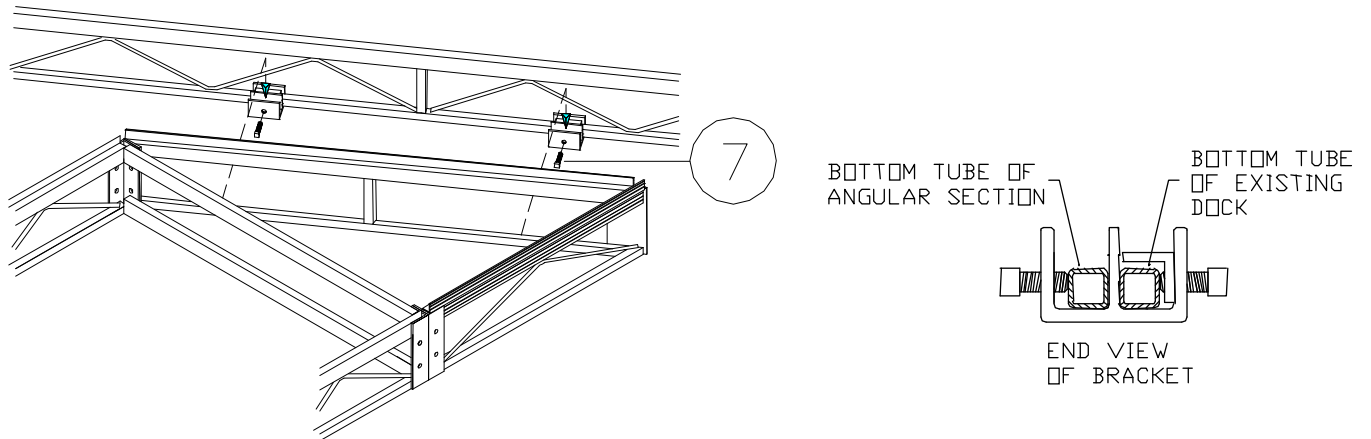
STEP 1. Bolt the angular extension frame (**REF. # 1**) to the dock (on the end without the pockets) that will be coming out at an angle from the main walkway with 1/2" X 1 1/4" bolts, 7/16" washers, and nuts (**REF. # 2, 3, & 4**), making sure that the sides of the extension frame are flush with the sides of the dock. At this time test fit the angled panel into the section, if there is an uneven gap between the panel and frame, adjust the frame by loosening the bolts in the slotted holes and sliding the frame in or out to close the gap. Re-tighten the bolts when the gap is even.



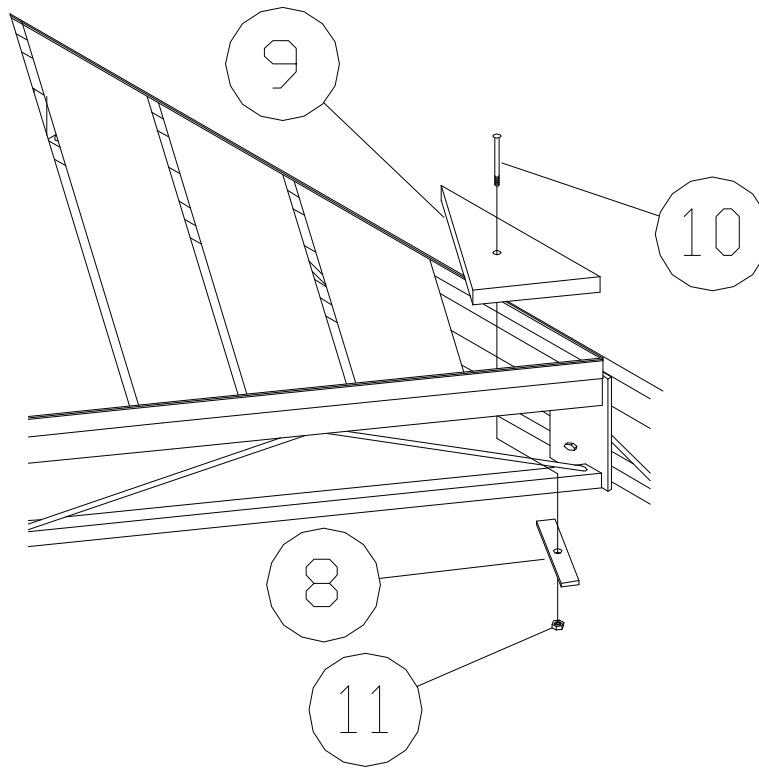
STEP 2. Where one corner of the angular section will be, place the slip bracket E-channel (**Ref. # 5**) on to the bottom 1" X 1" tube of the existing dock. Place the stop angle (**Ref. # 6**) between the tube and the E-channel, with the holes in the E-channel and the stop angle lining up. Secure with a 1/2" x 1" set screw (**Ref. # 7**). Place the other E-channel on the existing dock at the widest point allowed by the angular section. Secure as before.



STEP 3. With the E-channels in place set the bottom of the angular dock section into the other halves of the E-channels. Secure in place with set screws (**Ref. # 3**).



STEP 4. On APD deck extensions only, run foam tape on the top side of the angular extension frame (**REF. # 1**) and the support tube (**REF. # 10**). Place the panel into the framework. If necessary adjust the frame to fit the panel evenly. On CPD models bolt the cedar wedge board (**REF. # 9**) to the frame with a 1/4" X 4" carriage bolt and clamping flat (**REF. # 10 & 8**).



R18 APD DS 4' ANGULAR DECK EXTENSION RIGHT**R19 APD DS 4' ANGULAR DECK EXTENSION LEFT****R16 CPD DS 4' ANGULAR DECK EXTENSION RIGHT****R17 CPD DS 4' ANGULAR DECK EXTENSION LEFT**

REF. #	PART#	DESCRIPTION	CPD	APD
1	M48	ANGULAR EXTENSION FRAME RIGHT	1	1
1	M49	ANGULAR EXTENSION FRAME LEFT	1	1
2	5126	1/2" X 1 1/4" BOLT	4	4
3	5069	7/16" WASHER	8	8
4	5058	1/2" NUT	4	4
5	50380	E-CHANNEL	2	2
6	50381	STOP ANGLE	2	2
7	5174	SET SCREW 1/2" X 1"	4	4
8	30400	CLAMPING FLAT	1	-
9	61054	CEDAR WEDGE BOARD	1	-
10	5182	1/4" X 4" CARRIAGE BOLT	1	-
11	5055	1/4" NUT	1	-
12	4108	APD FOAM TAPE - 16'	-	1