

## PORTA-DOCK, INC.

### WHEEL DOCK RAMPS

4' X 4' RAMPS A12 AA \* A89 APD \* A99 CPD \* S52 SC \* G52 GC  
4' X 8' RAMPS R01 AA \* R02 APD \* R03 CPD \* R11 SC \* R12 GC \*  
5' X 4' RAMPS L65 APD \* L70 CPD  
5' X 8' RAMPS R04 AA \* R05 APD \* R06 CPD\*

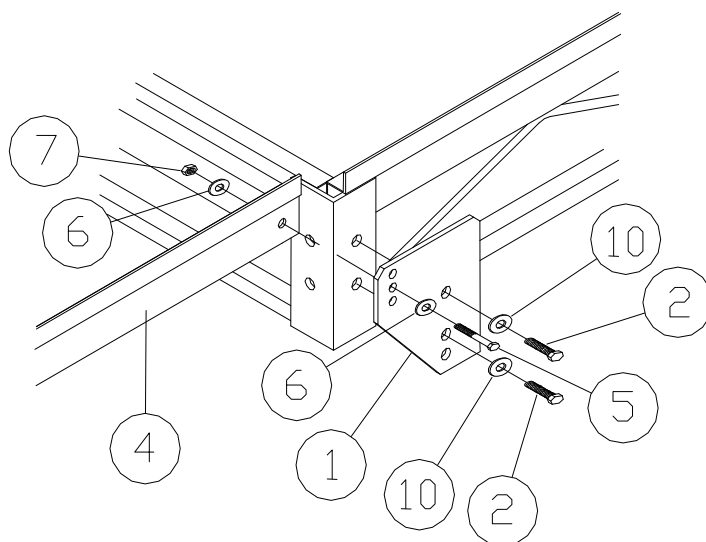
**\*For Beige decking Add the Letter B to the Model\***

**Thank you for purchasing our product!**  
**Please read these instructions and follow them step by step.**

**NOTE:** APD RAMP ONLY, RUN FOAM TAPE (Ref. # 8) ON TOP OF ALL SIDES OF RAMP

**STEP 1.** Bolt the ramp mounting brackets (Ref. # 1) to the side of the angles on the dock section using 1/2" X 1 1/2" bolts, 7/16" washers, and nuts (Ref. # 2, 10, & 3). If a post bracket is also used on the end of the section, bolt the ramp mounting bracket between the section angle and the post bracket.

**STEP 2.** Place the end of the ramp section (Ref. # 4) with the holes, between the two mounting brackets and fasten it to the brackets with 3/8" X 2" bolts, washer, and nut (Ref. # 5, 6, & 7). Use the hole in the mounting bracket that allows the decking on the ramp and the dock to line up.



| REF. # | PART NO. | DESCRIPTION                 | 4' X 4' | 4' X 8' |
|--------|----------|-----------------------------|---------|---------|
|        |          |                             | 5' X 4' | 5' X 8' |
| 1      | 30100    | Ramp Mounting Bracket       | 2       | 2       |
| 2      | 5124     | Bolt 1/2" X 1 1/2"          | 4       | 4       |
| 3      | 5058     | Nut 1/2"                    | 4       | 4       |
| 4      | *        | Frame                       | 1       | 1       |
| 5      | 5058     | Bolt 3/8" X 2"              | 2       | 2       |
| 6      | 5070     | Washer 3/8"                 | 4       | 4       |
| 7      | 5056     | Nut 3/8"                    | 2       | 2       |
| 8      | 4108     | Foam Tape 16' Roll APD Only | 1       | 2       |
| 9      | **       | Panel                       | 1       | 2       |
| 10     | 5069     | Washer 7/16"                | 8       | 8       |

#### \*FRAME LIST

|                                |                                |                                |
|--------------------------------|--------------------------------|--------------------------------|
| B30 - 4 X 4 AA Frame & Decking | B47 - 4 X 4 APD/CPD Frame      | H32 - 4 X 4 GC Frame           |
| T32 - 4 X 4 SC Frame           | E31 - 4 X 8 AA Frame & Decking | E39 - 4 X 8 APD/CPD Frame      |
| E49 - 4 X 8 GC Frame           | E84 - 4 X 8 SC Frame           | E86 - 5 X 8 AA Frame & Decking |
| H13 - 5 X 4 APD/CPD Frame      | E85 - 5 X 8 APD/CPD Frame      |                                |

#### \*\*PANEL LIST

|                            |                            |                      |
|----------------------------|----------------------------|----------------------|
| B86 - 4' APD Panel (white) | 86B - 4' APD Panel (beige) | B53 - 4' Cedar Panel |
| B13 - 5' APD Panel (white) | 13B - 5' APD Panel (beige) | B10 - 5' Cedar Panel |