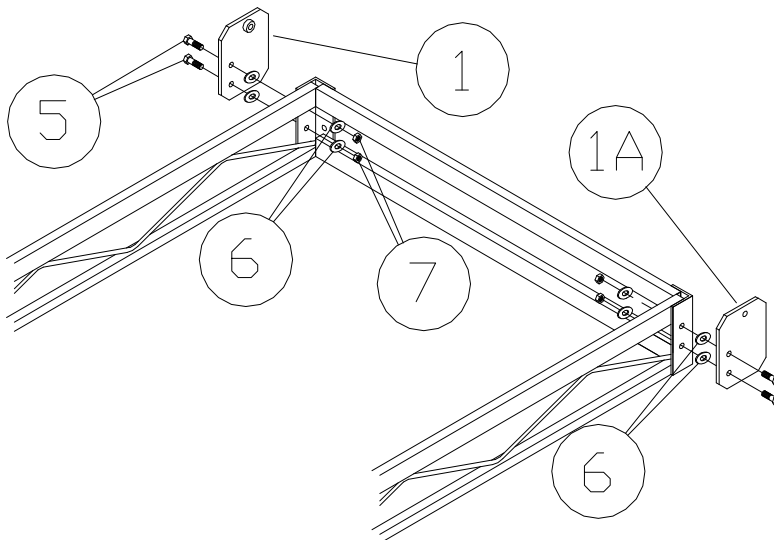


## **PORTA-DOCK, INC.** **T46 DELUXE DOCK HINGE KIT**

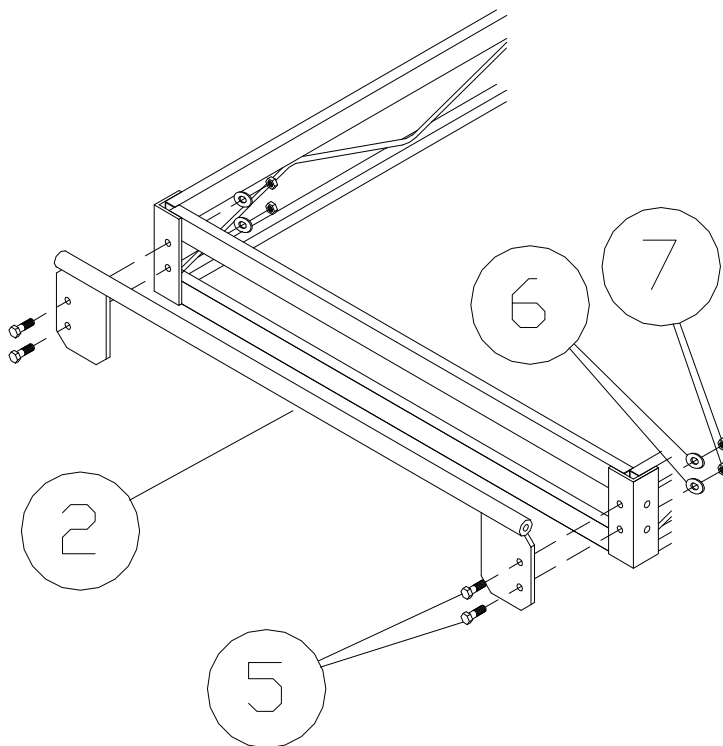
**Thank you for purchasing our product!**

**\*Please read these instructions and follow them step by step.\***

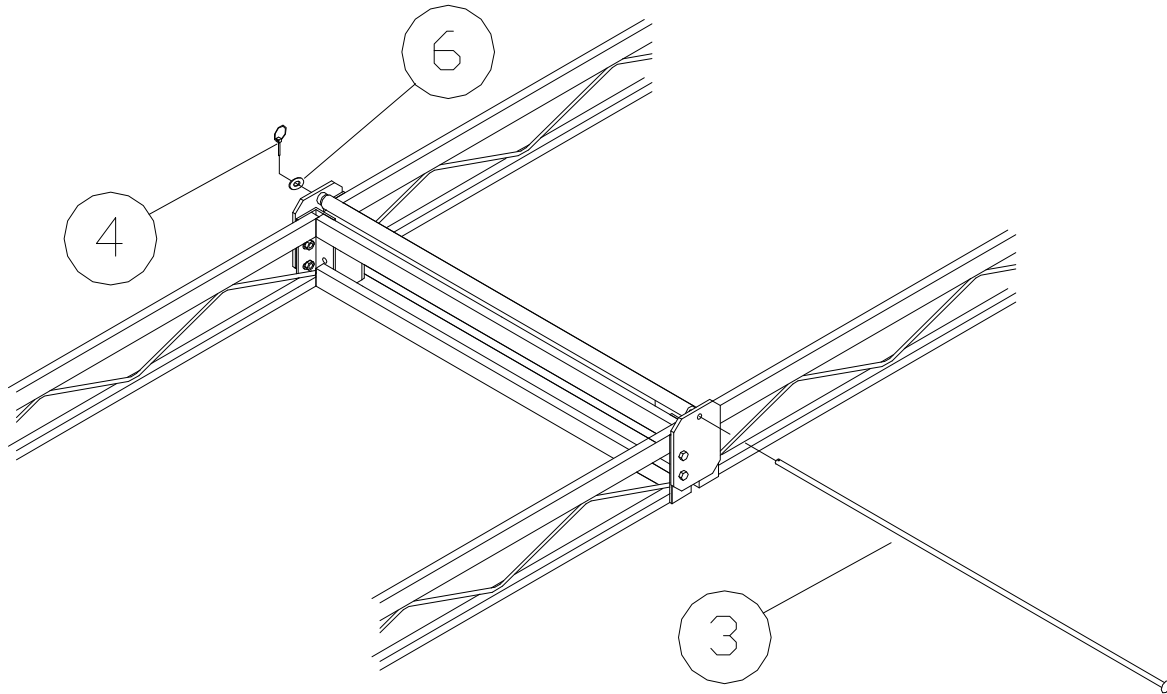
**Step 1.** Bolt the hinge kit side plates (**REF. NO. 1 & 1A**) with the bushings facing inward to the sides of the corner angles of the dock with washers between the plate and the dock with 1/2" X 1 1/4" bolts, washers, and nuts (**REF. NO. 5, 6, & 7**). Leave loose at this time.



**Step 2.** Bolt the hinge pipe bracket (**REF. NO. 2**) to the face of the other dock with 1/2" X 1 1/4" bolts, washers, and nuts (**REF. NO. 5, 6, & 7**).



**Step 3.** Slide the docks together and line up the top holes in the side plates with the pipe on the hinge bracket. Slide the Shaft (**REF. NO. 3**) through the holes and secure with a 1/2" washer and lynch pin (**REF. NO. 6 & 4**). Tighten the bolts in the side plates at this time.



<b>REF. #</b>	<b>PART #</b>	<b>DESCRIPTION</b>	<b>QTY</b>
1	09H	HINGE KIT SIDE PLATE LEFT	1
1A	08H	HINGE KIT SIDE PLATE RIGHT	1
2	07H	DLX HINGE PIPE BRACKET	1
3	14H	DLX HINGE SHAFT PIN	1
4	5101	3/16" LYNCH PIN	1
5	5126	1/2" X 1 1/4" BOLT	8
6	5071	1/2" WASHER	13
7	5058	1/2" NUT	8