

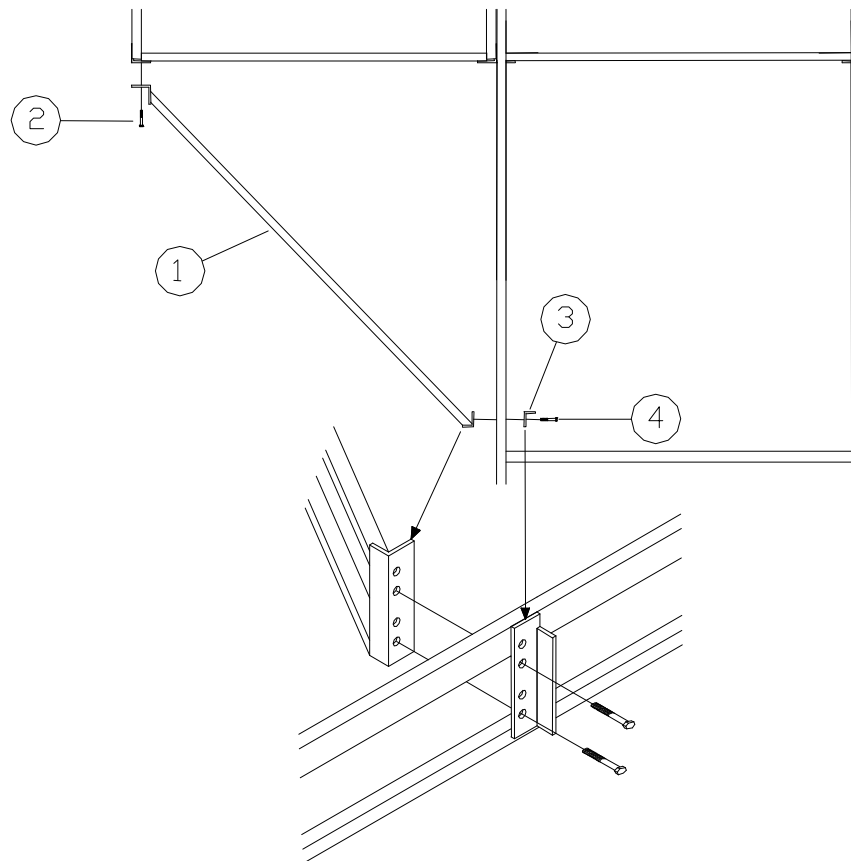
**PORTA-DOCK, INC.**

**WHEEL DOCK CORNERS STEEL**  
**G53- GC RIGHT CORNER SECTION, G54- GC LEFT CORNER SECTION,**  
**S53- SC RIGHT CORNER SECTION, S54- SC LEFT CORNER SECTION**

**Thank you for purchasing our product!**  
**Please read these instructions and follow them step by step**

Bolt the angle end of the corner side with the two holes to the outside corner angle of the 8' section using 1/2" X 1" bolts and nuts. Clamp bolt the other end to the side of the 16' section. Flush top of corner side with the top of the frame on the 16' section. Pass a 1/2" X 2" bolt (REF. # 4) through the backer angle (REF. # 3), then through the dockside and into the angle of the corner side. Use the holes in the corner side angle that are closest to the side tubes of the 16' section. Fasten with a 1/2" nut. Repeat with second bolt.

<b>REF. #</b>	<b>PART #</b>	<b>DESCRIPTION</b>	<b>AA</b>
1	B46	AC & GC CORNER SIDE	1
1A	T47	SC CORNER SIDE	1
2	5123	1/2" X 1" BOLT	2
3	30092	BACKER ANGLE	1
4	5125	1/2" X 2" BOLT	2
5	5058	1/2" NUT	4
6	B55	CEDAR PANEL RIGHT CORNER	1
6A	B56	CEDAR PANEL LEFT CORNER	1



Porta-Dock, Inc.