

PORTA-DOCK, INC.

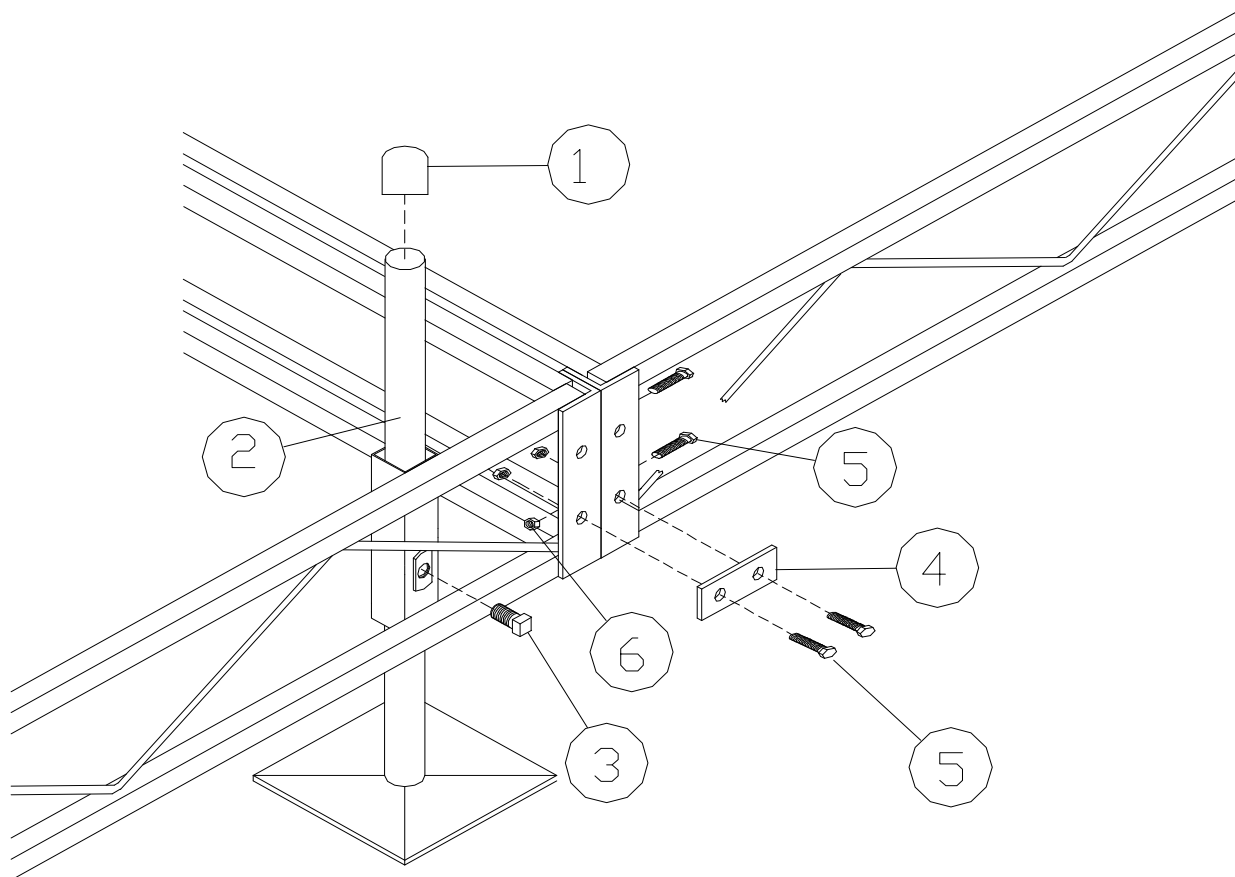
S49 4'X16' SC ADD ON W/POSTS & S51/S89 4'X8' SC ADD ON W/POSTS
G49 4'X16' GC ADD ON W/POSTS & G51/G89 4'X8' GC ADD ON W/ POSTS

Thank you for purchasing our product!

Please read these instructions and follow them step be step.

Turn add on section on its side and insert dock post (**REF. # 2**) into dock post pocket and tighten with 1/2"x3/4" set screw (**REF. # 3**) (Finger tighten at this time). Place add on sections together and fasten thru the two end holes of the frame with 1/2"x1" bolts and 1/2" nuts (**REF. # 5 & 6**). Then locate your dock connector bracket (**REF. # 4**) and place on the two bottom holes on the outside of framework and fasten with (**REF. # 4 & 5**). Adjust your dock to desired height then tighten set screws on dock post.

REF. #	PART #	DESCRIPTION	QTY
1	3808	1 1/4" DOCK POST CAP	2
2	C62	6' STEEL 1 1/4" DOCK POST	2
3	5170	1/2" X 3/4" SET SCREW	2
4	10000	DOCK CONNECTOR PLATE	2
5	5123	1/2" X 1" BOLT	8
6	5058	1/2" NUT	8



Porta-Dock, Inc.