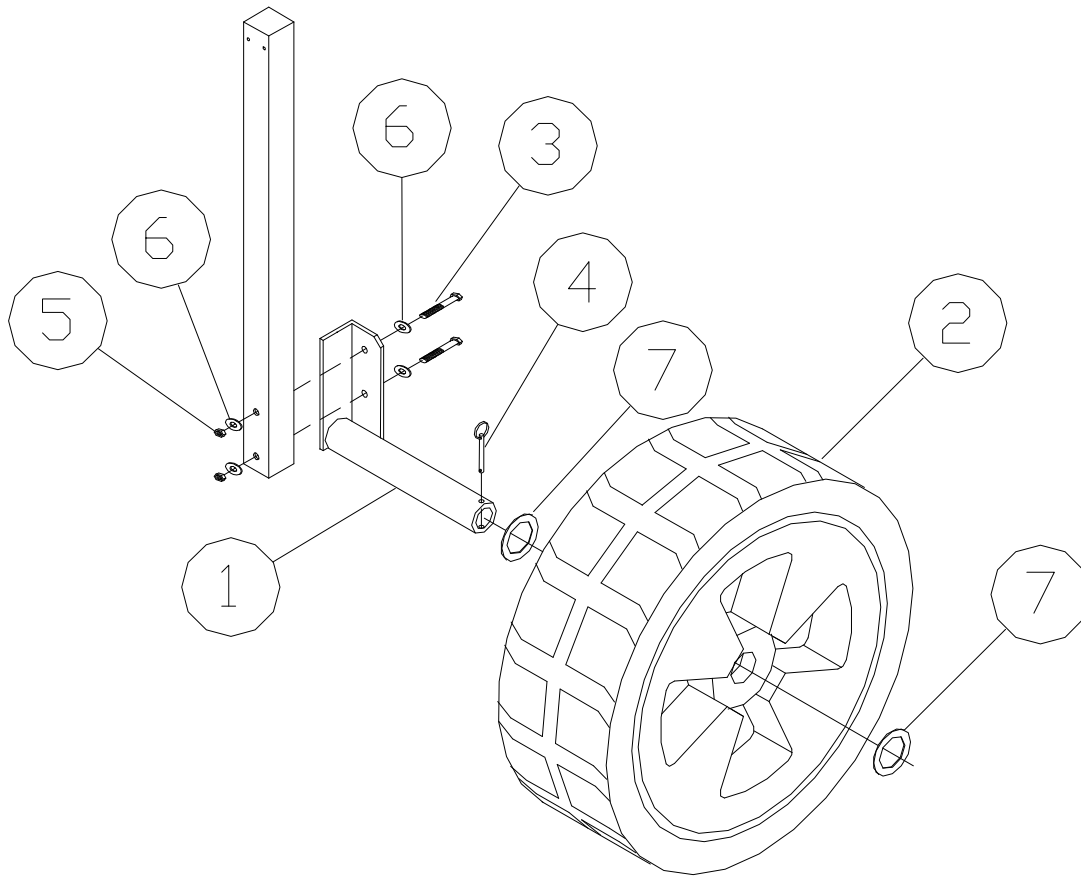


PORTA-DOCK, INC.
L98 MULTI-DOCK POST WHEEL KIT

Thank you for purchasing our product!
***Please read these instructions and follow them step by step.**

Step 1. Bolt the wheel kit axle bracket (REF. NO. 1) to the leg as shown using 3/8" X 3" bolts, washers, and nuts (REF. NO. 3, 6, & 5). Slide a 3" washer (REF. NO. 7) onto the axle shaft then slide on the wheel (REF. NO. 2) and the other 3" washer (REF. NO. 7). Secure in place with a 1/4" X 2 1/2" pin (REF. NO. 4). NOTE: If a boat lift will be sitting where the wheel is located, reverse the axle bracket so the wheel will be under the dock.



L98 MULTI-DOCK POST WHEEL KIT

REF. #	PART NO.	DESCRIPTION	QTY
1	31G	WHEEL KIT AXLE BRACKET	1
2	4002	PLASTIC WHEEL	1
3	5084	BOLT 3/8" X 3"	2
4	5245	PIN 1/4" X 2 1/2"	1
5	5056	3/8" NUT	2
6	5070	3/8" WASHER	4
7	5077	3" WASHER	2

Porta-Dock, Inc.