

PORTA-DOCK, INC.

APM58 MULTI-DOCK 4' ALUMINUM RAMP

APM59 MULTI-DOCK 8' ALUMINUM RAMP

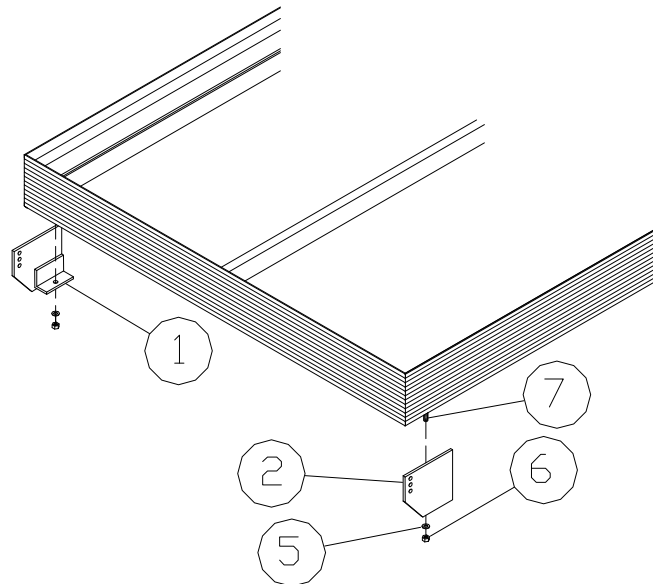
AWM58 MULTI-DOCK 4' CEDAR RAMP

AWM59 MULTI-DOCK 8' CEDAR RAMP

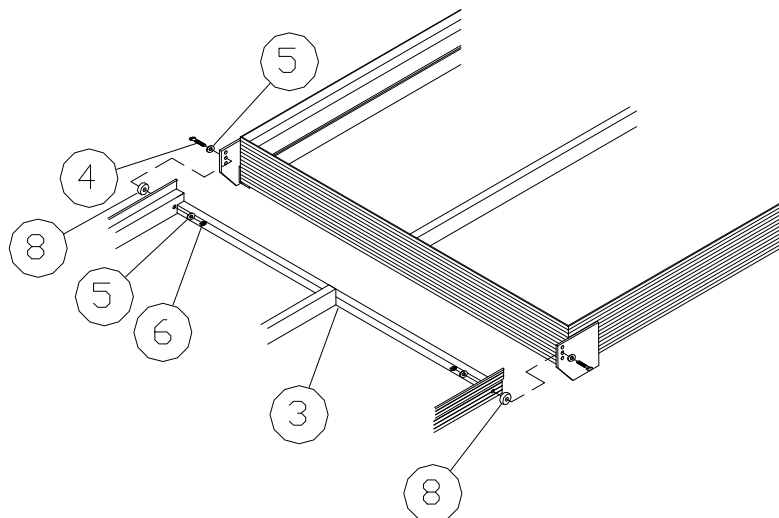
Thank you for purchasing our product.

***Please read these instructions and follow them step by step.**

STEP 1. Bolt the ramp brackets (Ref. No. 1 & 2) to the bottom of the sides of the dock by sliding two 3/8" X 1" carriage bolts (Ref. No. 7) into the access holes in the bottom of the side of the frame, and bolting the ramp brackets (Ref. No. 1 & 2) to them as shown using 3/8" washers and nuts (Ref. No. 5 & 6). NOTE: The edge of the angle should be flush with the face of the dock.



STEP 2. Place the end of the ramp section (Ref. No. 3) with the holes, between the two mounting brackets and aluminum spacers (Ref. No. 8), fasten to brackets with 3/8" X 2 1/2" bolts, washers and nuts (Ref. No. 4, 5, & 6). Use the holes where the top of the ramp will line up with the top of the dock.



NOTE: On APM models, run foam tape on the top sides of the ramp.

APM58 MULTI-DOCK 4' ALUMINUM RAMP
APM59 MULTI-DOCK 8' ALUMINUM RAMP
AWM58 MULTI-DOCK 4' CEDAR RAMP
AWM59 MULTI-DOCK 8' CEDAR RAMP

REF. #	Part #	Description	4'8'	
1	46R	MULTI-DOCK RAMP BRACKET LEFT	1	1
2	48R	MULTI-DOCK RAMP BRACKET RIGHT	1	1
3	B47	RAMP FRAME 4' X4'	1	-
	B86	RAMP FRAME 4' X8'	-	1
4	5083	3/8" X 2 1/2" BOLT	2	2
5	5070	3/8" WASHER	6	6
6	5056	3/8" NUT	4	4
7	5193	3/8" CARRIAGE BOLT	2	2
8	0605	ALUMINUM SPACER	2	2
	4108	FOAM TAPE 16' - APD ONLY	1	2
	B53	CEDAR PANEL 4' STRAIGHT	1	2
	B86	ALUMINUM PANEL 4' STRAIGHT	1	2