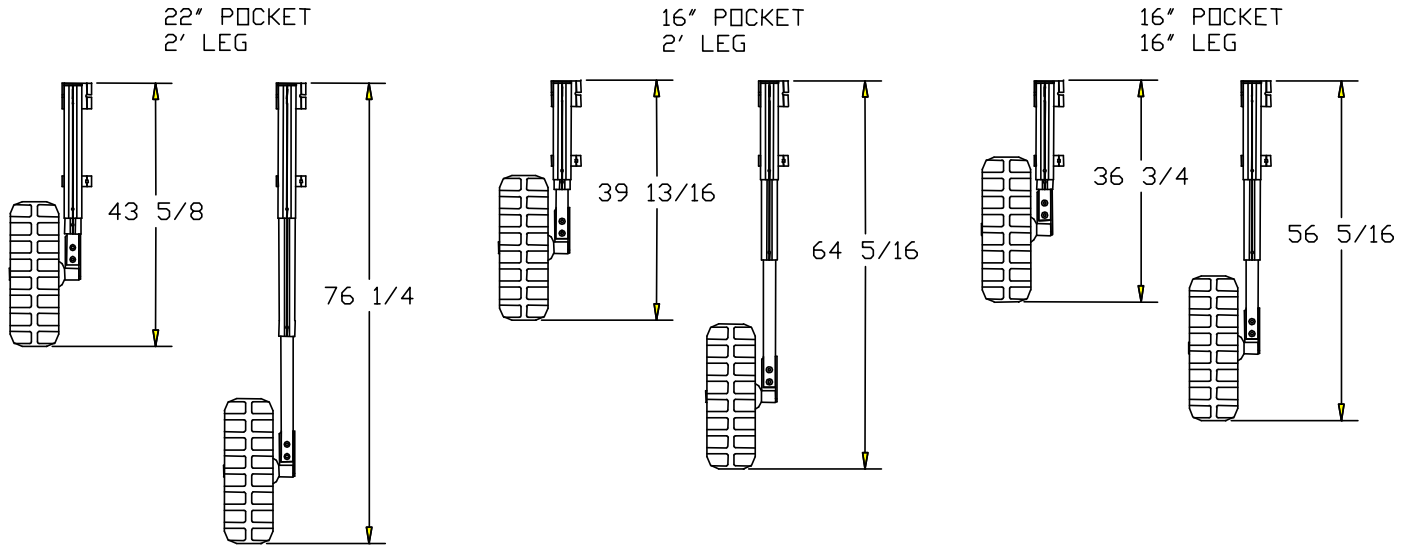


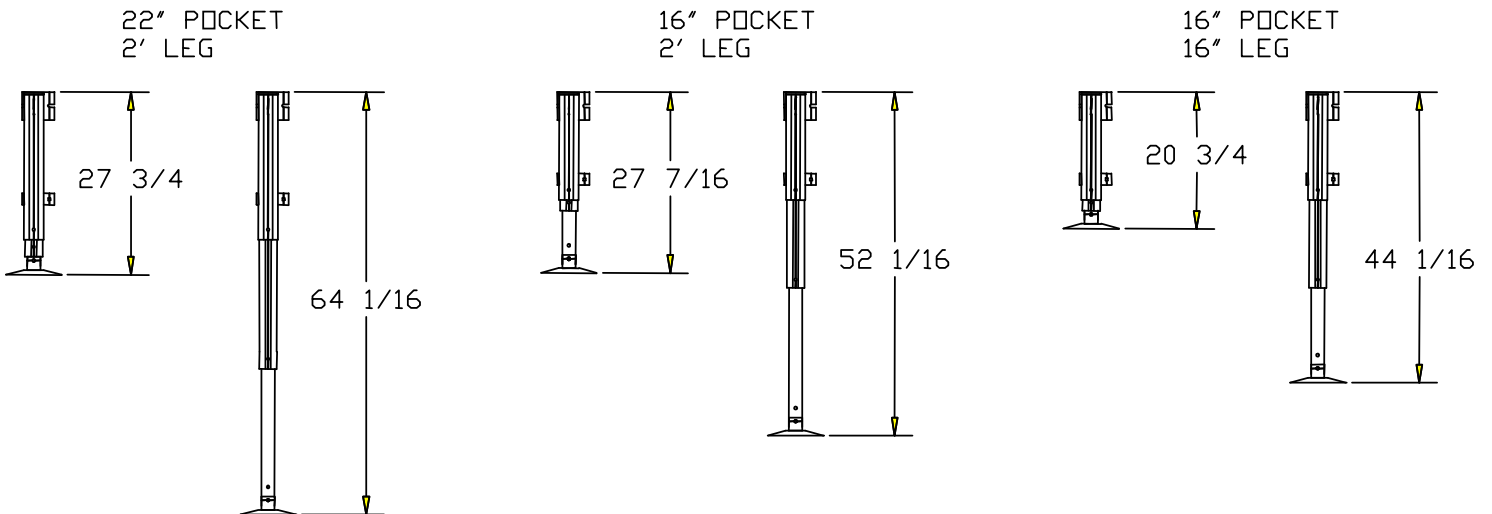
**PORTA-DOCK, INC.**  
**MULTI DOCK LEG SPECIFICATIONS**

MULTI DOCK POCKET  
AND LEG WITH WHEELS



	LEGS (SINGLE)
	P16 -- 16" LEG
	P24 -- 24" LEG
	P36 -- 36" LEG
	P48 -- 48" LEG
	P60 -- 60" LEG
POCKETS (PAIR)	
C162 -- 16" POCKET	
C164 -- 22" POCKET	

MULTI DOCK POCKET  
AND LEG WITH PADS



Porta-Dock, Inc.