

**PORTA-DOCK, INC.**

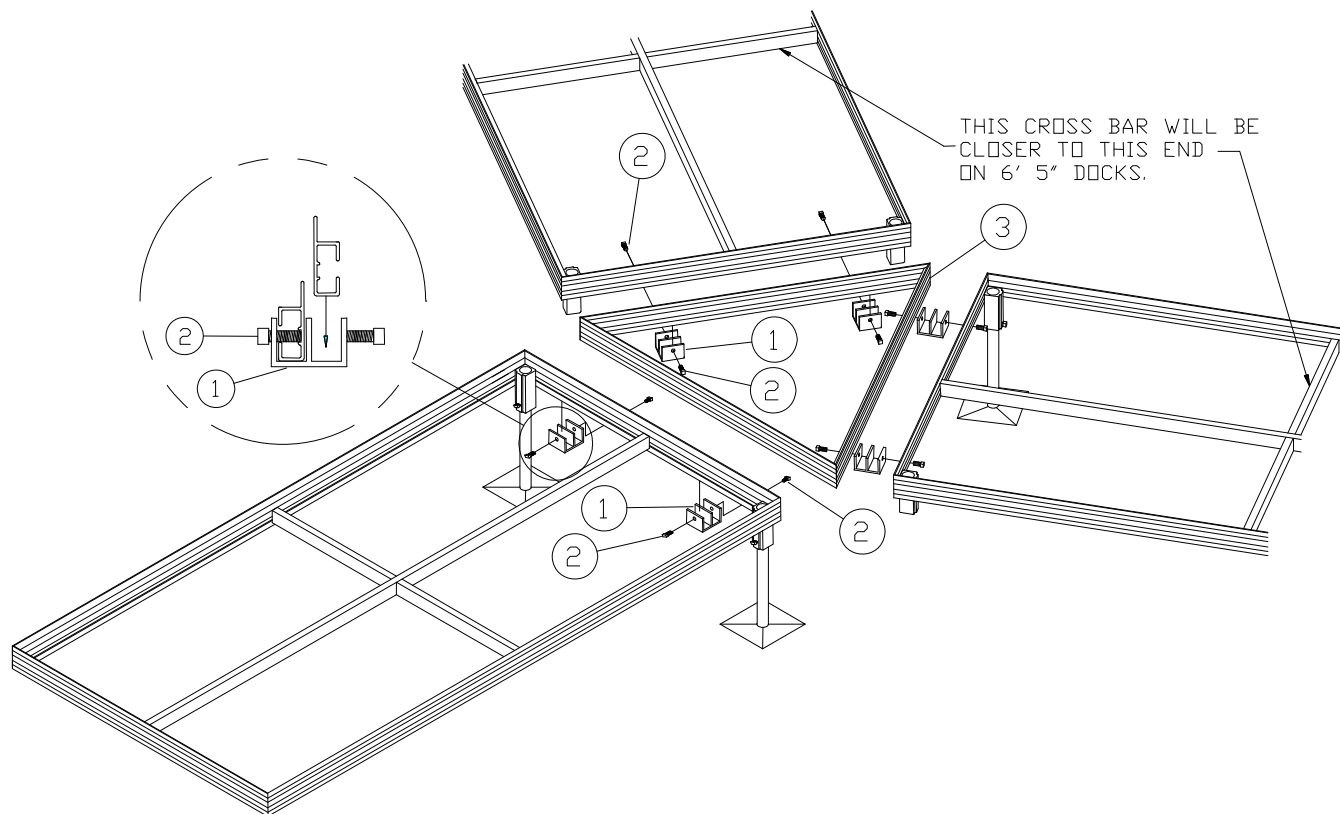
**POST DOCK Y-DOCK 134" & 168" OPENINGS**

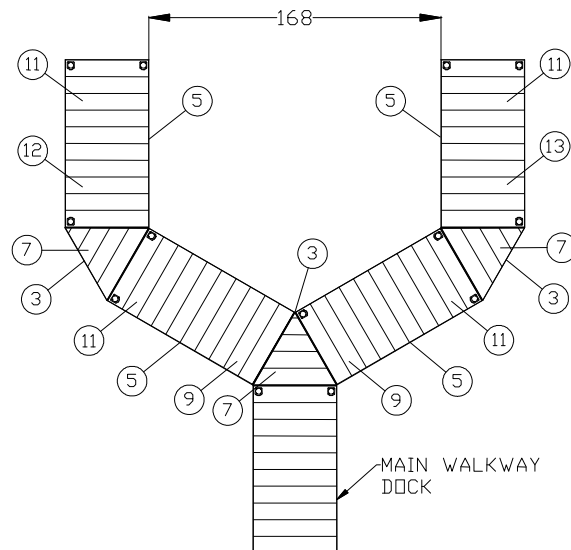
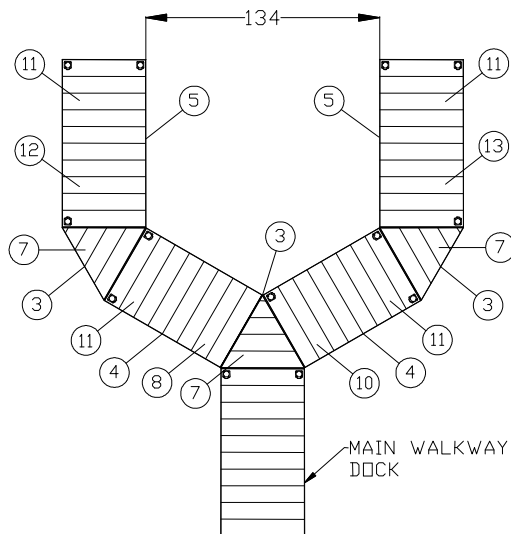
**Thank you for purchasing our product.  
Please read these instructions and follow them step by step.**

**NOTE: For APPD sections only, run foam tape on the top edge of the frame.**

**STEP 1.** Refer to the diagrams and parts list below when setting your dock up. Assemble the main walkway dock as shown in its instructions.

**STEP 2.** Take the two post dock connector brackets (**REF. # 1**) and attach to the lake end of the main walkway post dock frame with 1/2" X 2" set screws (**REF. # 2**) as shown in diagram. Set the tri section frame (**REF. # 2**) into the connector brackets and secure with 1/2" X 2" set screws. Bolt the four post dock connector brackets to the tri section frame with 1/2" X 2" set screws (**REF. # 2**) on the sides where the next docks will connect. Install the legs into the next docks you will be setting out, set the legs to the approximate height that you need. On the right side set the next four pocket dock (if you are making a dock that will have a 134" opening this will be a 6' 5" dock here, the end with the cross tube closest to it will connect to the tri section) into the connector brackets on the tri section and secure with 1/2" X 2" set screws (**REF. # 2**). Connect the remaining docks and tri sections in this manner. On the left side repeat the procedure (the 134" opening model will use a 6' 5" dock in this place as well). Install the remaining tri sections onto the docks that you just installed. Install legs into the remaining docks and install them to the ends of the tri sections in the same manner as before. Install foam tape on to rails of the dock on aluminum panel models. Place your decking into position, do any final leveling, and make sure all set screws are tight.





REF. #	Part #	Description	4'-134"	5'-134"	4'-168"	5'-168"
			Qty	Qty	Qty	Qty
1	30052	POST DOCK CONNECTOR BRACKET	10	10	10	10
2	5173	1/2" X 2" SET SCREW	20	20	20	20
3	M90	4' POST DOCK TRI SECTION FRAME	3	-	3	-
	M92	5' POST DOCK TRI SECTION FRAME	-	3	-	3
4	M91	4' X 6'5" POST DOCK FRAME 4 POCKET	2	-	-	-
	M93	5' X 6'5" POST DOCK FRAME 4 POCKET	-	2	-	-
5	B32	4' X 8' POST DOCK FRAME 4 POCKET	2	-	4	-
	F32	5' X 8' POST DOCK FRAME 4 POCKET	-	2	-	4
6	4108	FOAM TAPE 16' - APPD ONLY				
7	BB42(B)	4' ALUMINUM TRI SECTION PANEL				
	BB40	4' CEDAR TRI SECTION PANEL				
	BB28(B)	5' ALUMINUM TRI SECTION PANEL				
	BB41	5' CEDAR TRI SECTION PANEL				
8	B17 (B)	APD PANEL 2.5' X 4' STRAIGHT				
	BB8	CPD PANEL 2.5' X 4' STRAIGHT				
	BB7 (B)	APD PANEL 2.5' X 5' STRAIGHT				
	BB4	CPD PANEL 2.5' X 5' STRAIGHT				
9	B86 (B)	APD PANEL 4' X 4' STRAIGHT				
	B48	CPD PANEL 4' X 4' STRAIGHT				
	B13 (B)	APD PANEL 4' X 5' STRAIGHT				
	BB1	CPD PANEL 4' X 5' STRAIGHT				
10	BB52 (B)	APD PANEL 2.5' X 4' LEFT CUTOUT				
	BB54	CPD PANEL 2.5' X 4' LEFT CUTOUT				
	BB53 (B)	APD PANEL 2.5' X 5' LEFT CUTOUT				
	BB55	CPD PANEL 2.5' X 5' LEFT CUTOUT				
11	B87 (B)	APD PANEL 4' X 4' SW CUTOUT				
	B58	CPD PANEL 4' X 4' SW CUTOUT				
	B95 (B)	APD PANEL 4' X 5' SW CUTOUT				
	B00	CPD PANEL 4' X 5' SW CUTOUT				
12	B89 (B)	APD PANEL 4' X 4' L8 LEFT CUTOUT				
	B40	CPD PANEL 4' X 4' L8 LEFT CUTOUT				
	B73 (B)	APD PANEL 4' X 5' L10 LEFT CUTOUT				
	BB3	CPD PANEL 4' X 5' L10 LEFT CUTOUT				
13	B90 (B)	APD PANEL 4' X 4' L8 RIGHT CUTOUT				
	B39	CPD PANEL 4' X 4' L8 RIGHT CUTOUT				
	B81 (B)	APD PANEL 4' X 5' L10 RIGHT CUTOUT				
	BB2	CPD PANEL 4' X 5' L10 RIGHT CUTOUT				