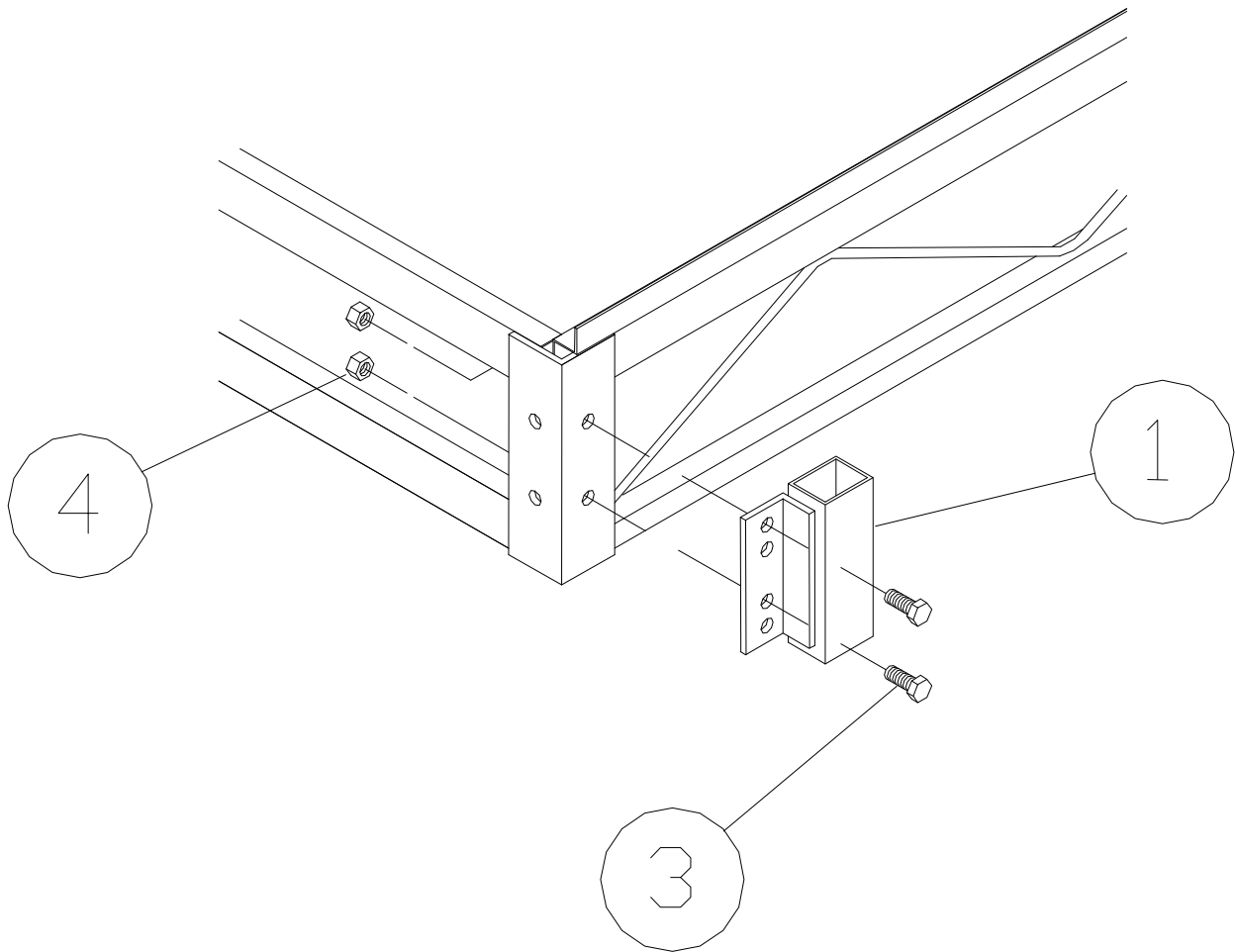


PORTA-DOCK, INC.

C42 ALUMINUM DOCK POST CORNER BRACKET

Thank you for purchasing our product!

****Please read these instructions and follow them step by step. ****



REF. #	PART #	DESCRIPTION	QTY
1	C99	ALUMINUM DOCK POST CORNER BRACKET	1
2	5174	1/2" X 1 SET SCREW	1
3	5123	1/2" X 1" BOLT	2
4	5058	1/2" NUT	2

Porta-Dock, Inc.