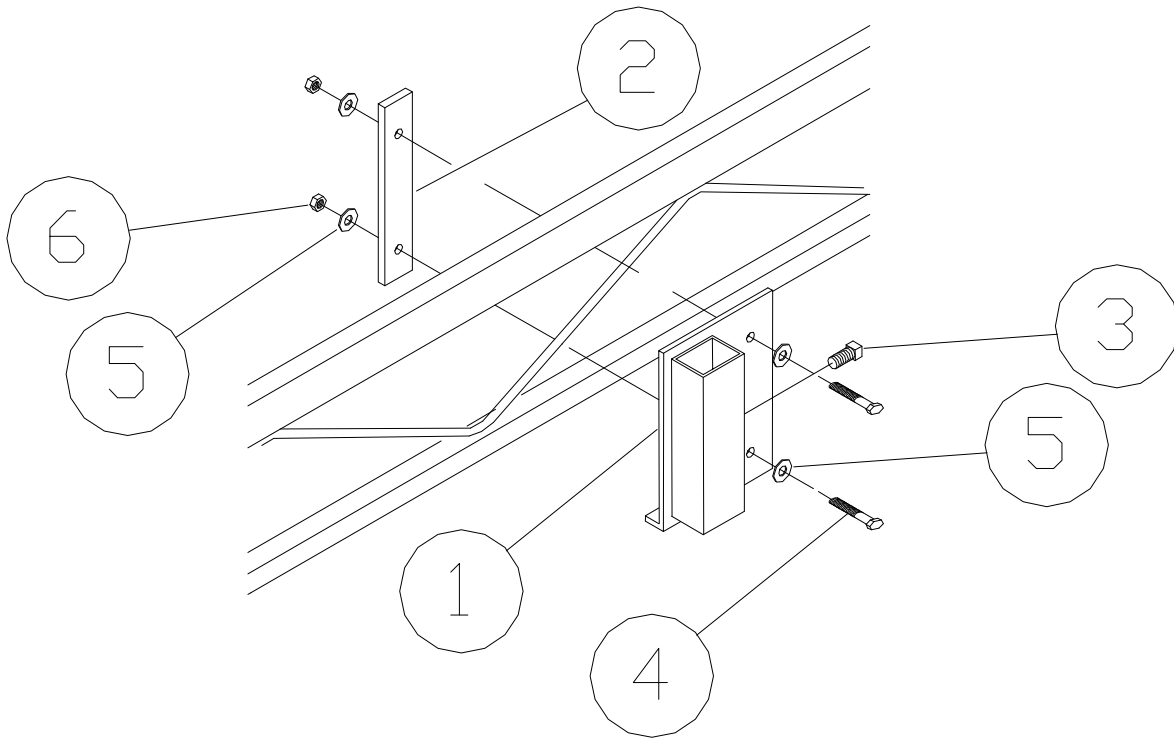


PORTA-DOCK, INC.

C41 ALUMINUM DOCK POST BRACKET

Thank you for purchasing our product!
****Please read these instructions and follow them step by step. ****



REF. #	PART #	DESCRIPTION	QTY
1	C92	ALUMINUM DOCK POST BRACKET	1
2	10055	STEEL BACKER PLATE FOR POST BRACKET	1
3	5174	1/2" X 1 SET SCREW	1
4	5083	3/8" X 2 1/2" BOLT	2
5	5070	3/8" WASHER	4
6	5056	3/8" NUT	2

Porta-Dock, Inc.