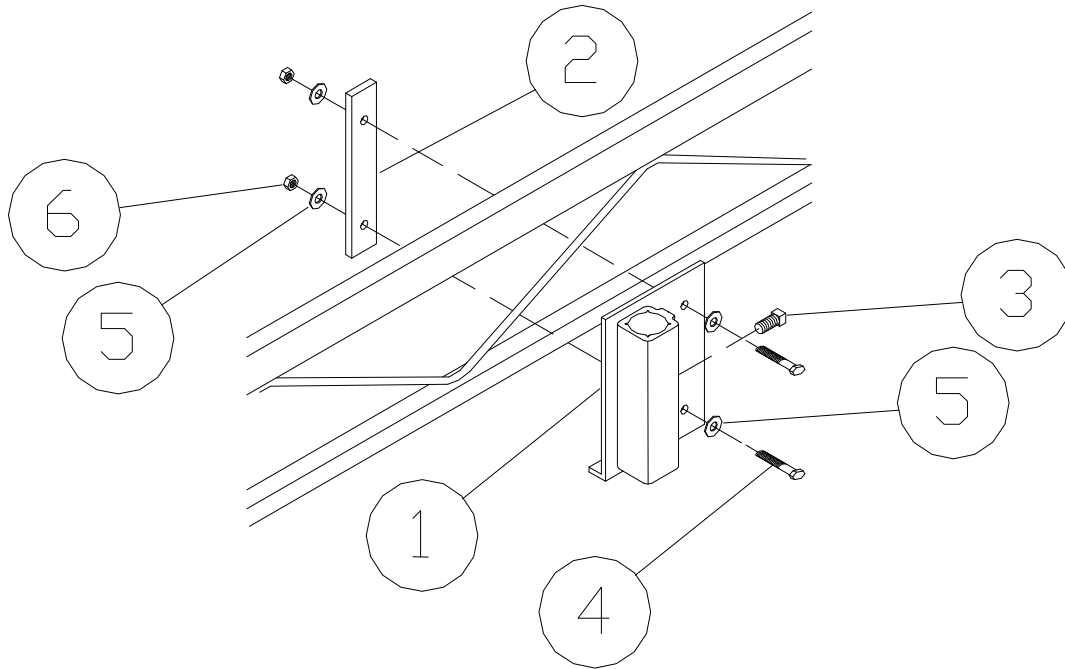


## PORTA-DOCK, INC.

### C32 ALUMINUM DOCK POST BRACKET 1 1/4"

**Thank you for purchasing our product!**  
**\*\*Please read these instructions and follow them step by step. \*\***



<u>REF. #</u>	<u>PART #</u>	<u>DESCRIPTION</u>	<u>QTY</u>
1	T17	ALUMINUM DOCK POST BRACKET 1 1/4"	1
2	10055	STEEL BACKER PLATE FOR POST BRACKET	1
3	5174	1/2" X 1 SET SCREW	1
4	5083	3/8" X 2 1/2" BOLT	2
5	5070	3/8" WASHER	4
6	5056	3/8" NUT	2

Porta-Dock, Inc.