

PORTA-DOCK, INC

POST DOCK CORNERS

L01 RIGHT CORNER FOR APPD, L02 LEFT CORNER FOR APPD
L03 RIGHT CORNER FOR ACPD, L04 LEFT CORNER FOR ACPD

Thank you for purchasing our product.

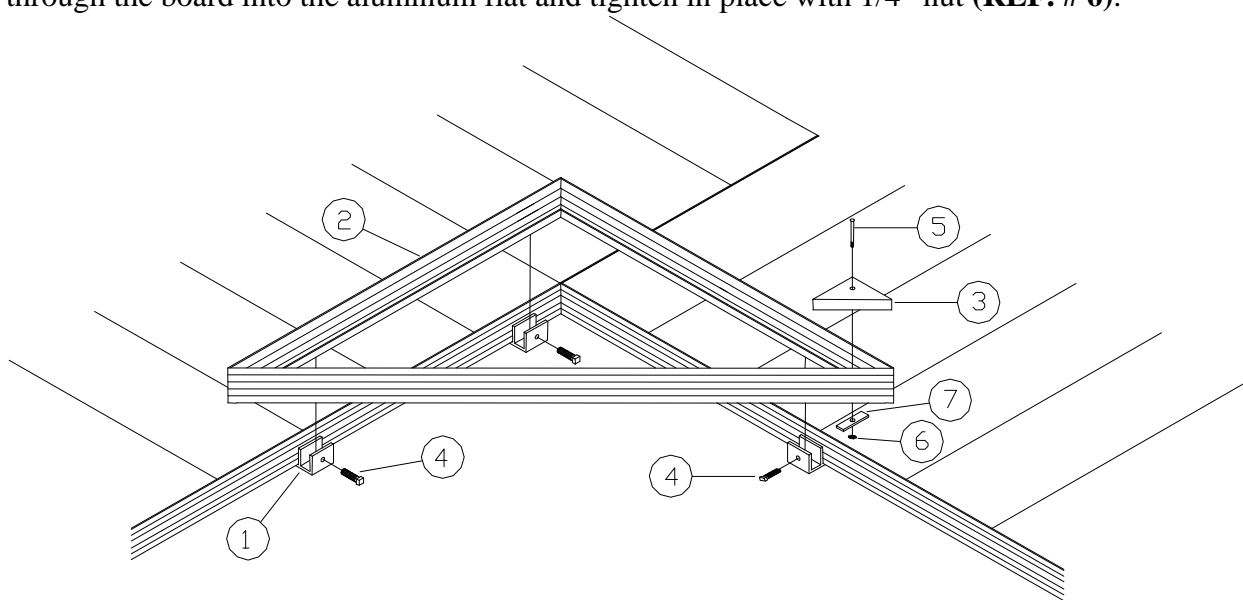
Please read these instructions and follow them step by step.

NOTE: For APPD corner sections only, run foam tape on outside and inside of frame.

STEP 1. Take the three post dock connector brackets (**REF. # 1**) and attach to the sides of the post dock frames with 1/2" x 2" set screws (**REF. # 4**) as shown in diagram. The two outside brackets should be about 38" from inside corner and the center about 4" from corner.

STEP 2. Slide the corner frame (**REF. # 2**) into the connector brackets and secure with 1/2" x 2" set screws.

STEP 3. Place panel into frame. On the cedar panel, place the small diagonal board (**REF. # 3**) into the corner of the frame. Fasten into place by placing the aluminum flat (**REF. # 7**) underneath the framework across both bottom tubes. Run a 1/4" x 4" carriage bolt (**REF. # 5**) through the board into the aluminum flat and tighten in place with 1/4" nut (**REF. # 6**).



REF. #	Part #	Description	Qty
1	30052	POST DOCK CONNECTOR BRACKET	3
2	B06	POST DOCK CORNER FRAME	1
3	30500	CORNER BOARD – ACPD ONLY	1
4	5173	1/2" X 2" SET SCREW	6
5	5182	1/4" X 4" CARRAIGE BOLT - ACPD ONLY	1
6	5055	1/4" NUT - ACPD ONLY	1
7	30400	ALUMINUM FLAT-ACPD ONLY	1
8	4108	FOAM TAPE 16' - APD ONLY	1
	B43	4' ALUMINUM CORNER PANEL RIGHT	1
	B84	4' ALUMINUM CORNER PANEL LEFT	1
	B83	4' CEDAR PANEL RIGHT CORNER	1
	B82	4' CEDAR PANEL LEFT CORNER	1

Porta-Dock, Inc.