

PORTA-DOCK, INC.

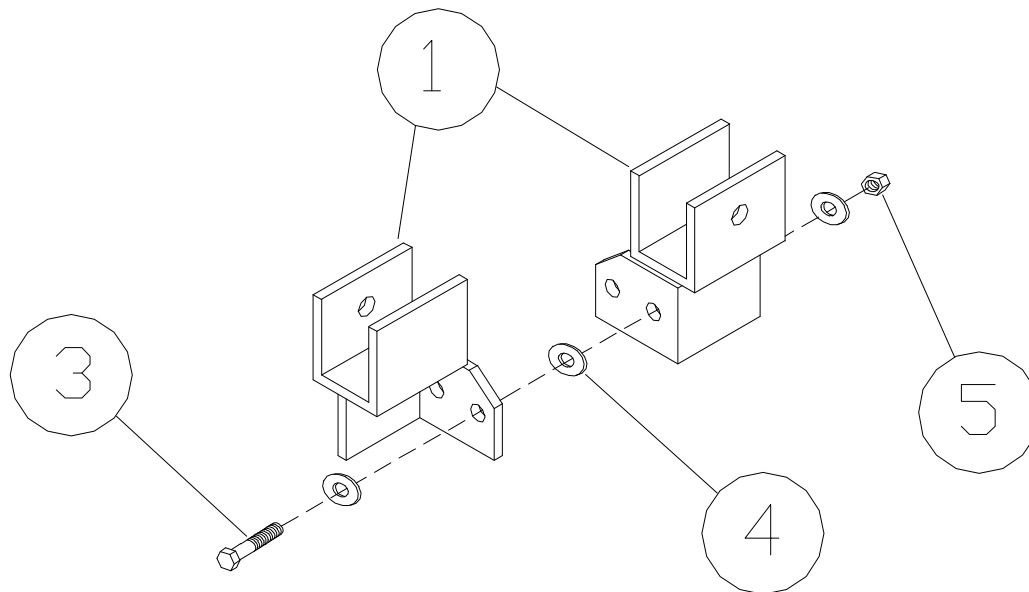
POST DOCK RAMPS

A31 4' ACPD RAMP, A79 4' APPD PD RAMP, R08 8' ACPD RAMP, R07 8' APPD RAMP
L41 5' ACPD RAMP, L40 5' APPD RAMP, R10 8' ACPD RAMP, R09 8' APPD RAMP

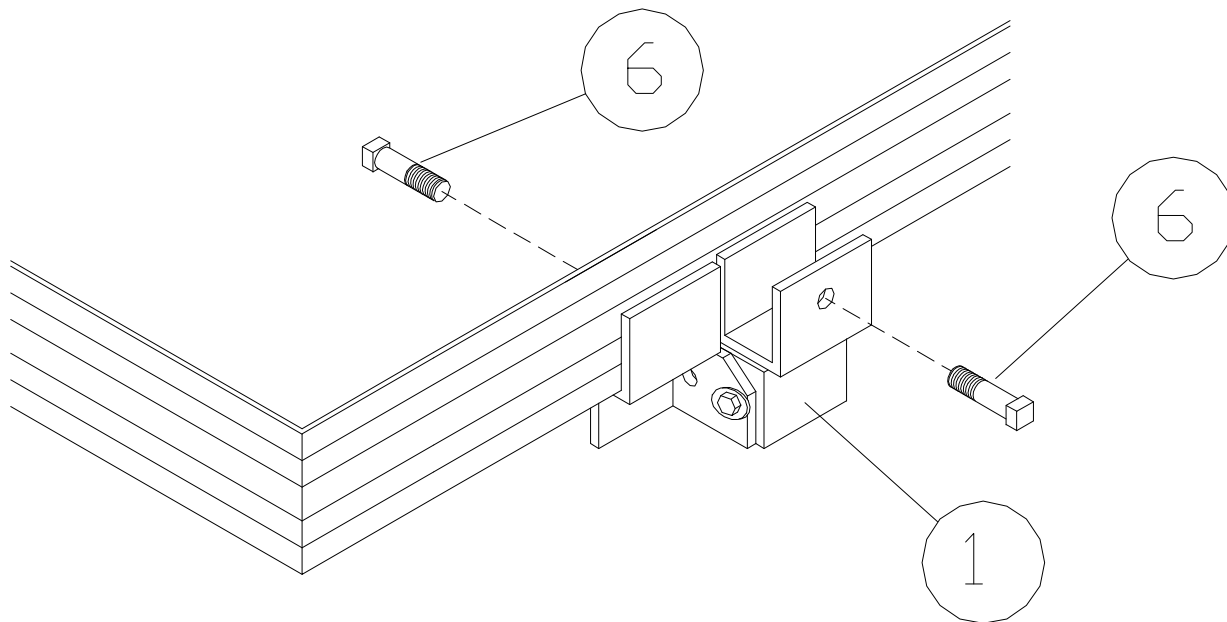
Thank you for purchasing our product.

***Please read these instructions and follow them step by step.**

Step 1. Locate the four post dock ramp hinge brackets (**REF. # 1**) (**NOTE: All four brackets are the same**). The brackets have an angle with two holes in it. If the ramp is going in a downward direction use the inside hole on one and the outside hole of the other. If the ramp is going in an upward direction use the two outside holes, fasten together with 3/8" X 1 1/2" bolt, 3/8" washers and 3/8" lock nut (**REF. # 3, 4 & 5**). Make sure there's a washer between the brackets and on both ends of the bolt.



Step 2. With the one channel of the hinge bracket to the outside of the post dock frame slip the other channel of the bracket underneath the end cross tube of the frame about four inches from the corner. Fasten in place with a 1/2" X 2" set screw (**REF. # 6**). Repeat with the other bracket on the opposite corner. Place the ramp frame (**REF. # 2**) into the outside channel of the hinge kit and fasten with 1/2" X 2" set screw. Check nuts and bolts for tightness and place panel on ramp frame.



POST DOCK RAMP

REF. #	Part #	Description	4'	8'
1	C14	POST DOCK RAMP HINGE BRKTS	4	4
2	B74	POST DOCK RAMP FRAME 4' X4'	1	-
	E87	POST DOCK RAMP FRAME 4' X8'	-	1
	L38	POST DOCK RAMP FRAME 5' X4'	1	-
	E88	POST DOCK RAMP FRAME 5' X8'	-	1
3	5155	3/8" X 1 1/2" BOLT	2	2
4	5070	3/8" WASHER	6	6
5	5038	3/8" LOCK NUT	2	2
6	5173	1/2" X 2" SET SCREW	4	4
	4108	FOAM TAPE 16' - APD ONLY	1	2
	B53	CEDAR PANEL 4' STRAIGHT	1	2
	B86	ALUMINUM PANEL 4' STRAIGHT	1	2
	B10	CEDAR PANEL 5' STRAIGHT	1	2
	B13	ALUMINUM PANEL 5' STRAIGHT	1	2