

**PORTA-DOCK, INC.**

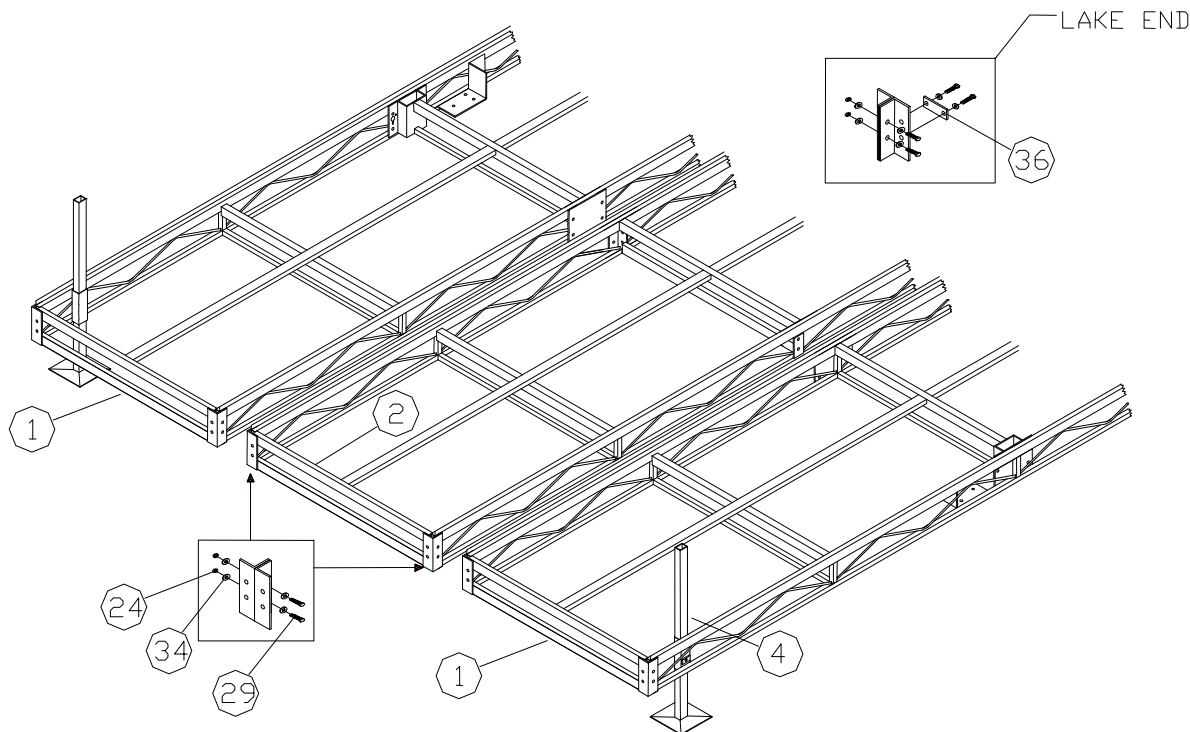
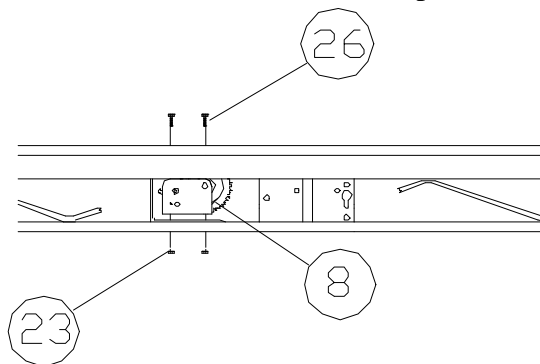
**AP20 APD DS L12 X 16' SUNDECK \* AW20 CPD DS L12 X 16' SUNDECK**  
**ALUMINUM PORTA-DOCK**

**\*For Beige Decking Add the Letter B to Model\***

**THANK YOU FOR PURCHASING OUR PRODUCT.**

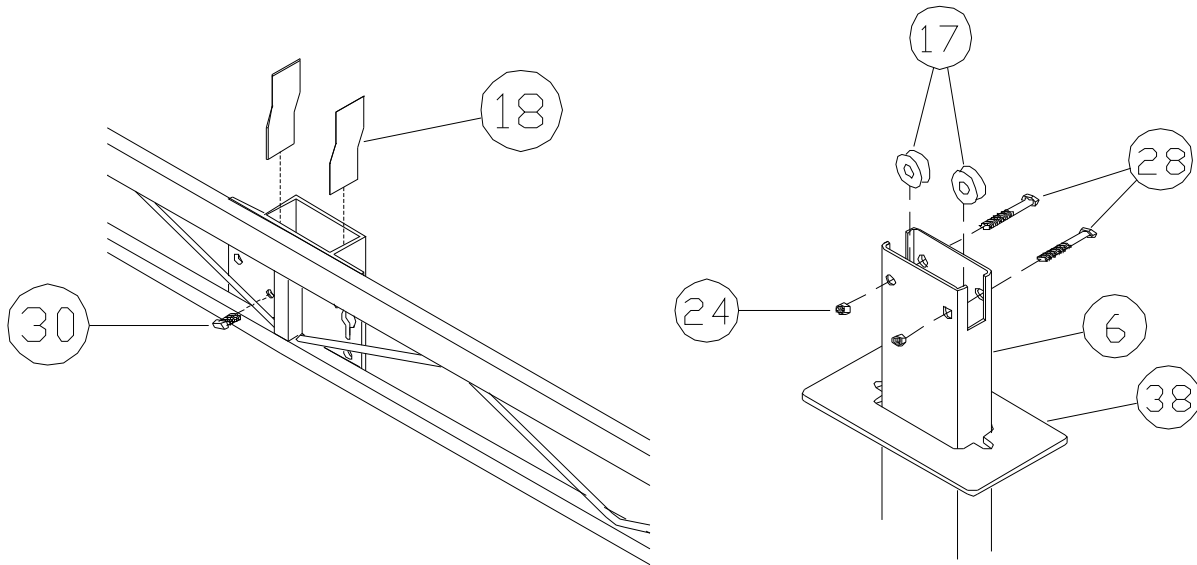
**\*Please read these instructions and follow them step by step.**

**STEP 1.** Find the two 4' x 16' sections that have a large pocket on the side in the center and two smaller pockets toward the ends. (**REF.#1**) Turn them on their sides with the pockets up. Slide in the 8' support posts (**REF.#4**) into the smaller pockets. Secure with 1/2" x 3/4" set screws (**REF.#30**). On a large level area set the center 4' x 16' section (**The one with no pockets**) (**REF.#2**) in the center. Place the other two sections with the posts on each side of the center section. Fasten the end angles and the center angles using 1/2" x 1 1/4" bolts, washers and nuts (**REF.#29, 34, & 24**). On the end of the sections that will be the lake end of the dock, place a dock connector bracket (**REF.#36**) to the bottom set of holes on the two sets of angles and fasten with 1/2" x 1 1/4" bolts, washers, and nuts. On the shore end of the sections: If the walkway to your deck is being connected to the right or left of the deck, place a connecting bracket to the opposite angles. If connecting walkway to the center section, you will not be using the connector bracket on that end.

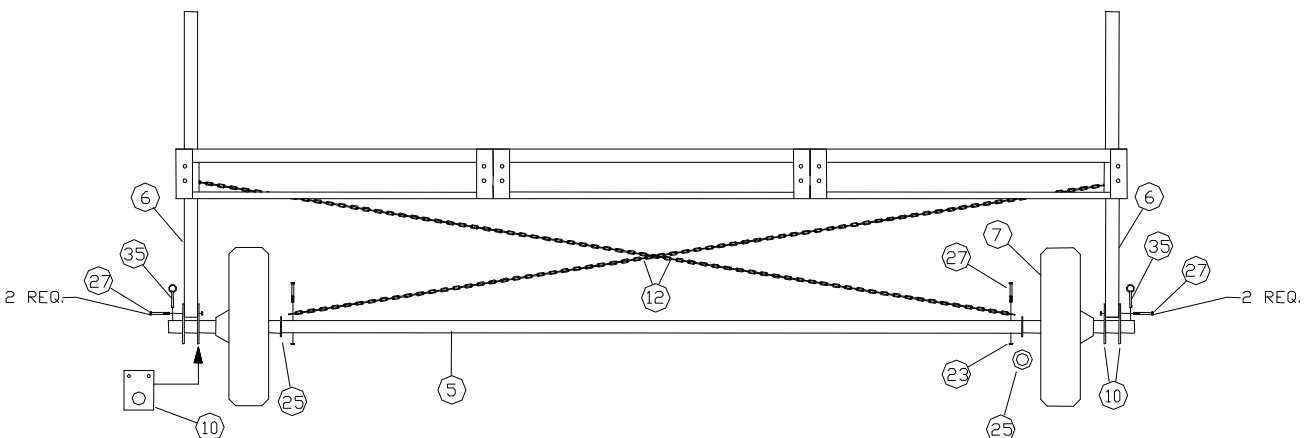


Raise the dock up approximately 30" and tighten set screws on the support posts. Bolt winches (**REF. # 8**) to the winch plates (located to the side of the large center pockets) using 3/8 x 1" bolts & nuts.

**STEP 2.** Apply the four nylon wear strips (**REF. # 18**) to the inside narrow ends of the large vertical lift member pockets. Pockets should be clean and dry and above 50 degrees. Slide a VLM cover plate (**REF. # 38**) onto each vertical lift member. Attach dock pulleys (**REF. # 17**) with 1/2 x 2 1/2" bolts and nuts (**REF.# 28 & 24**) to top of vertical lift members (**REF. # 10**). Insert vertical lift members into pockets on each side of dock. Put set screw into the face of the pockets. Leave set screws loose at this time.

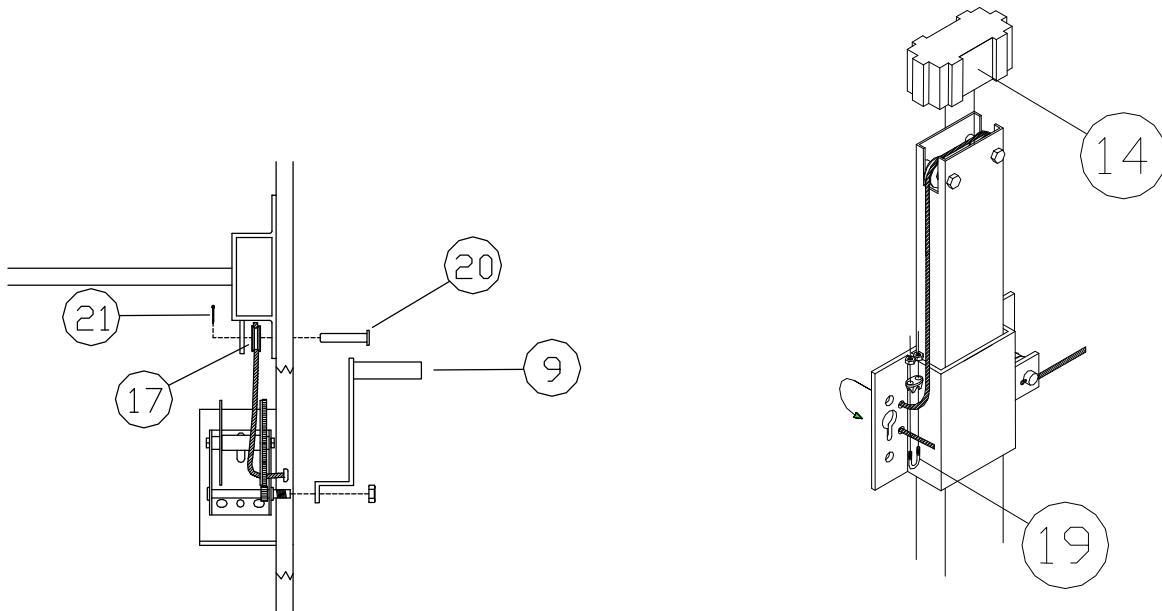


**STEP 3.** Attach the chains (**REF. # 12**) to the inside holes of the axle (**REF. # 5**) with a 3/8 x 3" bolt and nut. On the ends of the axle slide on the 3" washer (**REF. # 25**) then the dock wheels (**REF. # 7**) with the protruding hub to the outside onto the axle and slide up to the chains, and then slide on the two lift member brackets (**REF. # 10**). Place a 1/4 x 2 1/2" pin (**REF. # 35**) into the holes in the ends of the axle. Roll axle under dock, keeping axle centered with dock. Bolt lift member bracket (**REF. # 10**) to vertical lift members (**REF. # 6**) with 3/8" x 3" bolts and nuts (**REF. # 27 & 23**).

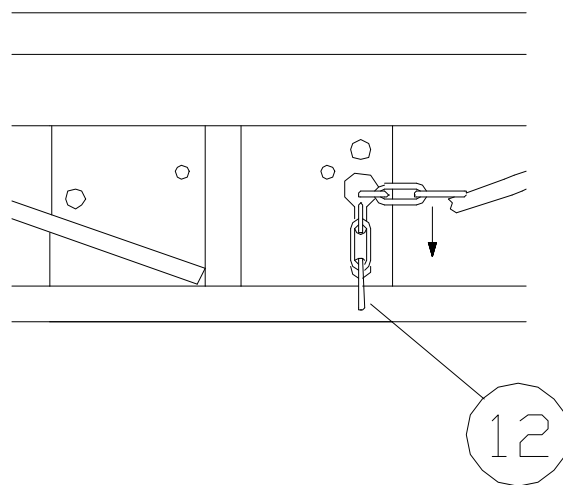


**STEP 4.** Bolt on winch handles (**REF. # 9**) with winch nut. Attach lower dock pulleys (**REF. # 17**) to the winch side of the dock pockets with  $\frac{1}{2} \times 2 \frac{3}{4}$ " clevis pin (**REF. # 20**) between pocket and ear tab. Secure with cotter pin (**REF. #21**). Starting winch cable (**REF. # 11**) from the outside of the winch, pass cable through the hole on the side of the drum with the gears. Run the cable through lower pulley, then up to pulleys on vertical lift members, and down to the top  $1\frac{3}{32}$ " hole in the pocket and back through the bottom  $1\frac{3}{32}$ " hole. Fasten with  $\frac{3}{16}$ " cable clamp (**REF. # 19**). Work winches until cables are raising dock.

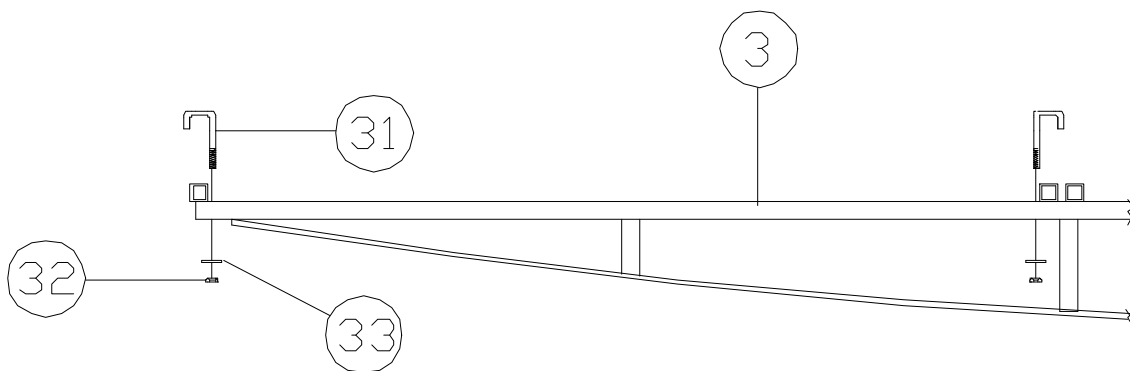
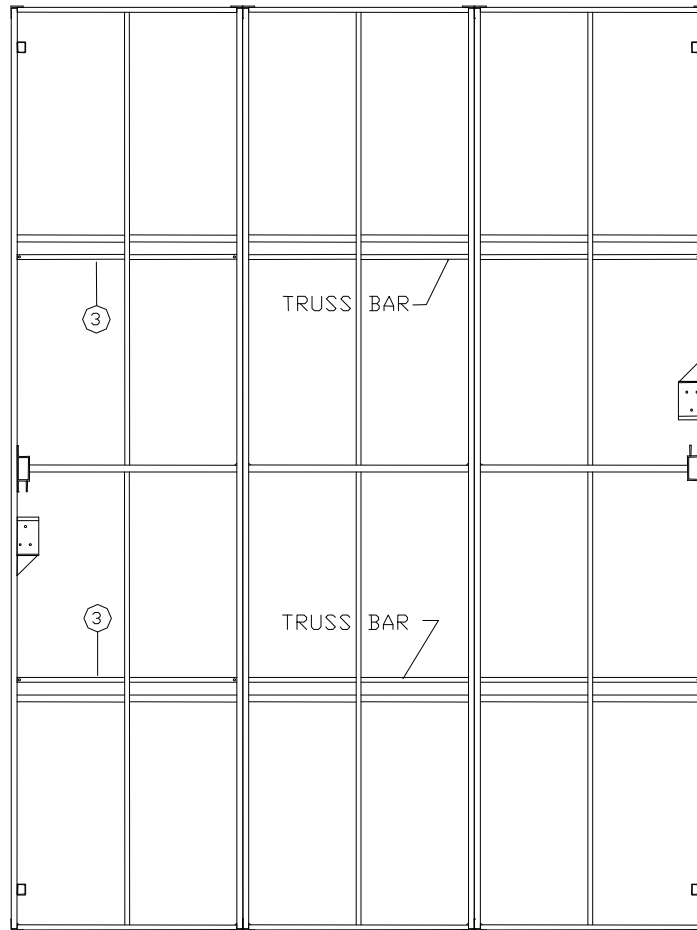
**You must** alternate winches as the dock moves up or down.



**STEP 5.** Bring top of chain (**REF. # 12**) up to the opposite side of dock, through the key hole bracket located on the vertical lift member pocket and lock in position by sliding the chain link down the key hole slot



**STEP 6.** Attach the truss bars (**REF. # 3**) by placing the truss bar underneath the docks frame so that it is about 44" from the vertical lift members. One on each side. Toward the Shore end of the dock. Fasten truss bar to the bottom one inch square tube of the dock frame with the three J-hooks, 5/16" washers, and lock nuts (**REF. #31, 33, & 32**).



**NOTE:** After the panels are installed on the dock, slide a cover plate (**Ref. #39**) down each dock post and onto the deck. Place a rectangular post cap (**Ref. #13**) onto each post.

**STEP 8.** Before moving your dock into the water, make sure that the chains are not wrapped around the axle, and then pull the slack out of the chains by hooking them into the keyhole bracket. Roll your dock into position, and loosen the set screws on the VLM pocket. Adjust the dock to the desired height making sure that there is enough slack in the chains to accommodate the height you will be adjusting to. Once the desired height is reached, pull both the chains tight and then lower one side of the dock so the next link can be hooked into the keyhole slot and raise the dock back up to complete the tightening of the chain. Repeat on the other side. When finished with this, there should be no visible slack left in the chains, and they should be tight enough that you can't move them. Tighten the set screws in the VLM pocket.

The cross chains are to help control the side-to-side stability of the end of the dock and need to be tight. Once set they only need to be adjusted if the height of the dock is changed.

**WARNING: before raising the dock it is necessary to loosen both of the chains and the set screws, or serious damage to the dock may occur.** When tightening the set screws, they should be tightened until they are snug against inside leg, and then tightened 1 1/2 to 2 turns more. Check the set screws after a couple of uses and retighten if necessary.

When moving dock into and from lake, lower dock to lowest level possible.

### **CEDAR PANELS**

PART #	DESCRIPTION	QTY
B34	CEDAR PANEL 4' X 4' ADD ON RIGHT CUTOUT	2
B37	CEDAR PANEL 4' X 4' ADD ON LEFT CUTOUT	2
B53	CEDAR PANEL 4' X 4' STRAIGHT	4
BB61	CEDAR PANEL 4' X 4' L8 LEFT CUTOUT	2
BB62	CEDAR PANEL 4' X 4' L8 RIGHT CUTOUT	2

### **ALUMINUM PANELS**

B12 (B)	ALUM PANEL 4' X 4' ADD ON LEFT CUTOUT	2
B14 (B)	ALUM PANEL 4' X 4' ADD ON RIGHT CUTOUT	2
B86 (B)	ALUM PANEL 4' X 4' STRAIGHT	4
B89 (B)	ALUM PANEL 4' X 4' L8 LEFT CUTOUT	2
B90 (B)	ALUM PANEL 4' X 4' L8 RIGHT CUTOUT	2

**AP20 APD DS L12 X 16' ALUMINUM PANEL SUNDECK**  
**AW20 CPD DS L12 X 16' CEDAR PANEL SUNDECK**

<b>REF. #</b>	<b>PART NO.</b>	<b>DESCRIPTION</b>	<b>APD</b>	<b>CPD</b>
1	M75	DS L12 OUTSIDE FRAME	2	2
2	M76	DS L12 CENTER FRAME	1	1
3	F63	TRUSS BAR	1	1
4	C30	8' SUPPORT POSTS	4	4
5	30082	L12 AXLE	1	1
6	30084	AL VERTICAL LIFT MEMBER	2	2
7	4005	TIRES	2	2
8	3005	WINCH DL 1100	2	2
9	3008	WINCH HANDLE	2	2
10	30088	VERTICAL LIFT MEMBER BRKT	4	4
11	3050	CABLE 3/16" X 15'	2	2
12	3070	CHAIN 3/16" X13'	2	2
13	3803	CAP POST	4	4
14	3804	CAP VERTICAL LIFT MEMBER	2	2
15	4108	FOAM TAPE	10	-
16	4521	PLASTIC EDGING	4	-
17	3300	PULLEY SHEAVE 1 1/2"	6	6
18	4112	WEAR PAD	4	4
19	5003	CABLE CLAMP 3/16"	2	2
20	5008	CLEVIS PIN 1/2 X 2 3/4"	2	2
21	5025	COTTER PIN	2	2
23	5056	NUT 3/8"	12	12
24	5058	NUT 1/2"	26	26
25	5077	WASHER 3"	2	2
26	5081	BOLT 3/8 X 1"	6	6
27	5084	BOLT 3/8 X 3"	6	6
28	5120	BOLT 1/2 X 2 1/2"	4	4
29	5126	BOLT 1/2 X 1 1/4"	22	22
30	5170	SET SCREW 1/2 X 3/4"	6	6
31	5031	J BOLT	3	3
32	5040	NUT 5/16"	3	3
33	5068	WASHER 5/16"	3	3
34	5069	WASHER 7/16"	44	44
35	5245	PIN 1/4" X 2 1/2"	2	2
36	10200	DOCK CONNECTOR	3	3
37	5066	WINCH NUT	2	2
38	3850	VLM COVER PLATE APD WHITE	2	-
	3851	VLM COVER PLATE APD BEIGE	2	-
	3852	VLM COVER PLATE CPD BROWN	-	2
39	3840	COVER PLATE APD WHITE	4	-
	3845	COVER PLATE APD BEIGE	4	-
	3841	COVER PLATE CPD	-	4



## Wheel dock height adjustment instructions

Before moving your dock into the water, make sure that the chains are not wrapped around the axle, and then pull the slack out of the chains by hooking them into the keyhole bracket. Roll your dock into position, and loosen the set screws on the VLM pocket. Adjust the dock to the desired height making sure that there is enough slack in the chains to accommodate the height you will be adjusting to. Once the desired height is reached, pull both the chains tight and then lower one side of the dock so the next link can be hooked into the keyhole slot and raise the dock back up to complete the tightening of the chain. Repeat on the other side. When finished with this, there should be no visible slack left in the chains, and they should be tight enough that you can't move them. Tighten the set screws in the VLM pocket.

The cross chains are to help control the side-to-side stability of the end of the dock and need to be tight. Once set they only need to be adjusted if the height of the dock is changed.

**WARNING: before raising the dock it is necessary to loosen both of the chains and the set screws, or serious damage to the dock may occur.** When tightening the set screws, they should be tightened until they are snug against inside leg, and then tightened 1 1/2 to 2 turns more. Check the set screws after a couple of uses and retighten if necessary.

When moving dock into and from lake, lower dock to lowest level possible.

Porta-Dock, Inc.