

PORTA-DOCK, INC.

WHEEL DOCK RAMPS

4' X 4' RAMPS A12 AA * A89 APD * A99 CPD * S52 SC * G52 GC
4' X 8' RAMPS R01 AA * R02 APD * R03 CPD * R11 SC * R12 GC *
5' X 4' RAMPS L65 APD * L70 CPD
5' X 8' RAMPS R04 AA * R05 APD * R06 CPD*

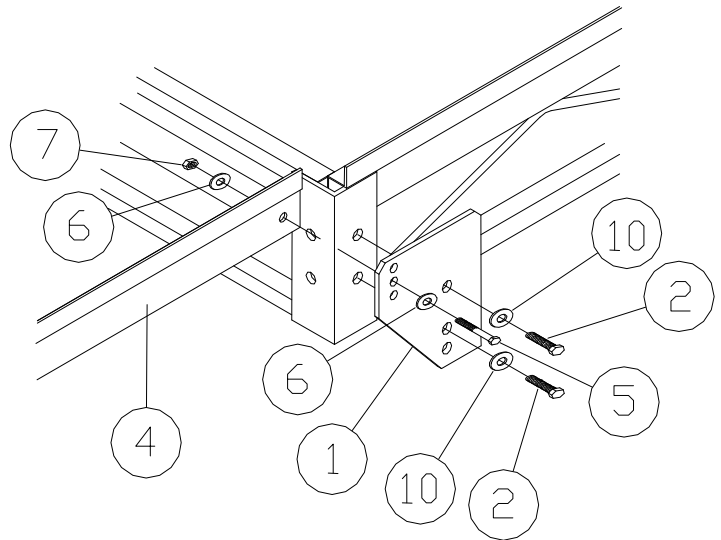
For Beige decking Add the Letter B to the Model

Thank you for purchasing our product!
Please read these instructions and follow them step by step.

NOTE: APD RAMP ONLY, RUN FOAM TAPE (Ref. # 8) ON TOP OF ALL SIDES OF RAMP

STEP 1. Bolt the ramp mounting brackets (Ref. # 1) to the side of the angles on the dock section using 1/2" X 1 1/2" bolts, 7/16" washers, and nuts (Ref. # 2, 10, & 3). If a post bracket is also used on the end of the section, bolt the ramp mounting bracket between the section angle and the post bracket.

STEP 2. Place the end of the ramp section (Ref. # 4) with the holes, between the two mounting brackets and fasten it to the brackets with 3/8" X 2" bolts, washer, and nut (Ref. # 5, 6, & 7). Use the hole in the mounting bracket that allows the decking on the ramp and the dock to line up.



REF. #	PART NO.	DESCRIPTION	4' X 4'	4' X 8'
			5' X 4'	5' X 8'
1	30100	Ramp Mounting Bracket	2	2
2	5124	Bolt 1/2" X 1 1/2"	4	4
3	5058	Nut 1/2"	4	4
4	*	Frame	1	1
5	5058	Bolt 3/8" X 2"	2	2
6	5070	Washer 3/8"	4	4
7	5056	Nut 3/8"	2	2
8	4108	Foam Tape 16' Roll APD Only	1	2
9	**	Panel	1	2
10	5069	Washer 7/16"	8	8

* FRAME LIST

B30 4 X 4 AA Frame & Decking	B47 4 X 4 APD/CPD Frame	H32 4 X 4 GC Frame
T32 4 X 4 SC Frame	E31 4 X 8 AA Frame & Decking	E39 4 X 8 APD/CPD Frame
E49 4 X 8 GC Frame	E84 4 X 8 SC Frame	E86 5 X 8 AA Frame & Decking
H13 5 X 4 APD/CPD Frame	E85 5 X 8 APD/CPD Frame	

** PANEL LIST

B86 4' APD Panel (white)	86B 4' APD Panel (beige)	B53 4' Cedar Panel
B13 5' APD Panel (white)	13B 5' APD Panel (beige)	B10 5' Cedar Panel

Porta-Dock, Inc.