

**PORTA-DOCK, INC.**

**4'POST DOCKS**

**A40 \*\* A11 \*\* L10 \*\* L11 \*\* L22 \*\* L23 \*\* L120 \*\* L122**  
**L140 \*\* L142 \*\* L24 \*\* L32 \*\* L34 \*\* L126 \*\* L144 \*\* L146 \*\* L42 \*\* L33**

**5'POST DOCKS**

**L26 \*\* L25 \*\* L27 \*\* L28 \*\* L29 \*\* L31 \*\* L128 \*\* L130 \*\* L131**  
**L148 \*\* L150 \*\* L20 \*\* L21 \*\* L151 \*\* L132 \*\* L134 \*\* L72 \*\* L71 \*\* L73**

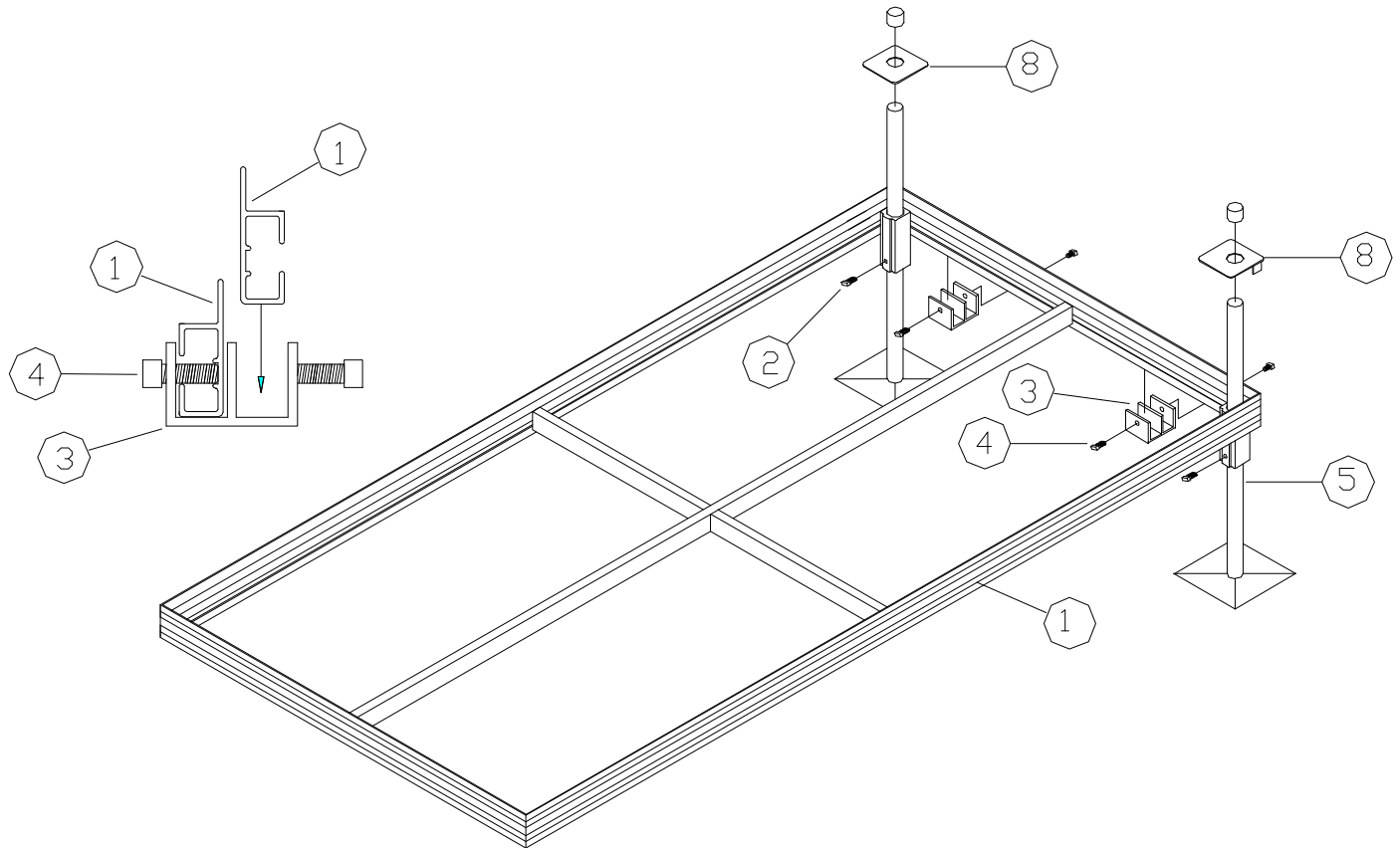
**Thank you for purchasing our product!**

**\*Please read and follow these instructions step by step\***

**Step 1.** Lay section on its side and insert optional dock post (**Ref. # 5**) with base to the bottom. Use two 1/2" x 3/4" set screws (**Ref. # 2**) into post bracket. Finger tighten. Set section upright. APPD Post Dock only - run the foam tape (**Ref. # 6**) on top of both side rails of post dock frame.

**Step 2.** If not adding additional sections go onto Step 3. If adding another section, use post dock connector brackets (**Ref. # 3**). Slip under bottom of section so that the outside edge of the bracket is about 7" from side of frame. Attach with 1/2" x 2" set screws (**Ref. # 4**)

**Step 3.** Adjust posts to desired height and tighten set screws. On APD models, run PVC foam tape on the top edge of the framework. Place cedar or aluminum panels on top of section to complete your post dock section.



**NOTE:** After the panels are installed on the dock, slide a cover plate (**Ref.#8**) down each post and onto the deck. Place a post cap on to each post.

<b>REF. #</b>	<b>PART #</b>	<b>DESCRIPTION</b>	<b>APD</b>	<b>CPD</b>
1		POST DOCK FRAME	1	1
2	5170	1/2" X 3/4" SET SCREW	2	2
3	30052	POST DOCK CONNECTOR BRACKET	2	2
4	5173	1/2" X 2" SET SCREW	4	4
5	OPT	1 1/4" POST AND PAD ***	2	2
6	4108	PVC TAPE 16' ROLL (APD ONLY)	2	-
7	3842	COVER PLATE APPD WHITE	2	-
	3844	COVER PLATE APPD BEIGE	2	-
	3843	COVER PLATE CPPD BROWN	-	2

#### **4' FRAMES**

B49	FRAME 4' X 8' 2 POCKET
B32	FRAME 4' X 8' 4 POCKET
B38	FRAME 4' X 8' 2 POCKET (LONG SIDE)
M91	FRAME 4 X 6' 5" 4 POCKET

#### **5' FRAMES**

F49	FRAME 5 X 8' 2 POCKET
F32	FRAME 5' X 8' 4 POCKET
F38	FRAME 5' X 8' 2 POCKET (LONG SIDE)
M93	FRAME 5' X 6' 5" 4 POCKET

#### **4' PANELS**

B86 (B)	ALUM. PANEL 4' X 4' STRAIGHT – APPD
B87 (B)	ALUM. PANEL 4' X 4' CUTOUT – APPD
B90 (B)	ALUM PANEL 4' X 4' L8 RIGHT
B89 (B)	ALUM. PANEL 4' X 4' L8 LEFT
B48	CEDAR PANEL 4' X 4' STRAIGHT - ACPD
B58	CEDAR PANEL 4' X 4' CUTOUT – ACPD
B39	CEDAR PANEL 4' X 4' RIGHT CUTOUT
B40	CEDAR PANEL 4' X 4' LEFT CUTOUT

#### **5' PANELS**

B13 (B)	ALUM. PANEL 5' X 4' STRAIGHT – APPD
B42 (B)	ALUM. PANEL 5' X 4' CUTOUT – APPD
B81 (B)	ALUM PANEL 5' X 4' RIGHT CUTOUT
B73 (B)	ALUM PANEL 5' X 4' LEFT CUTOUT
BB1	CEDAR PANEL STRAIGHT – CPPD
B00	CEDAR PANEL CUTOUT – CPPD
BB2	CEDAR PANEL RIGHT CUTOUT – CPPD
BB3	CEDAR PANEL LEFT CUTOUT - CPPD

**\* FOR BEIGE DECKING ADD THE LETTER B TO THE NUMBER**  
**\*\*\* NOTE: 1 1/4" CAPS COME W/ABOVE OPTIONAL POSTS**