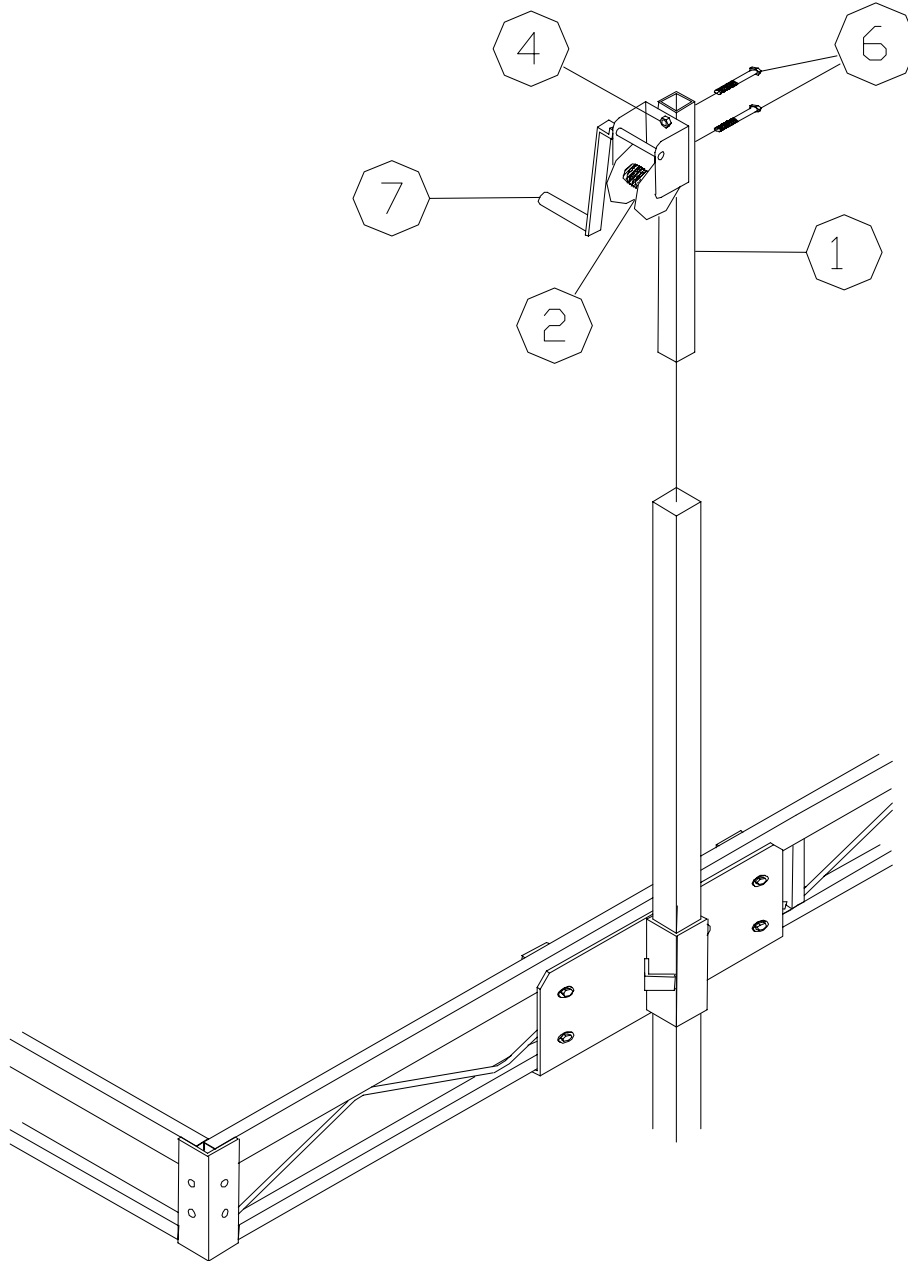


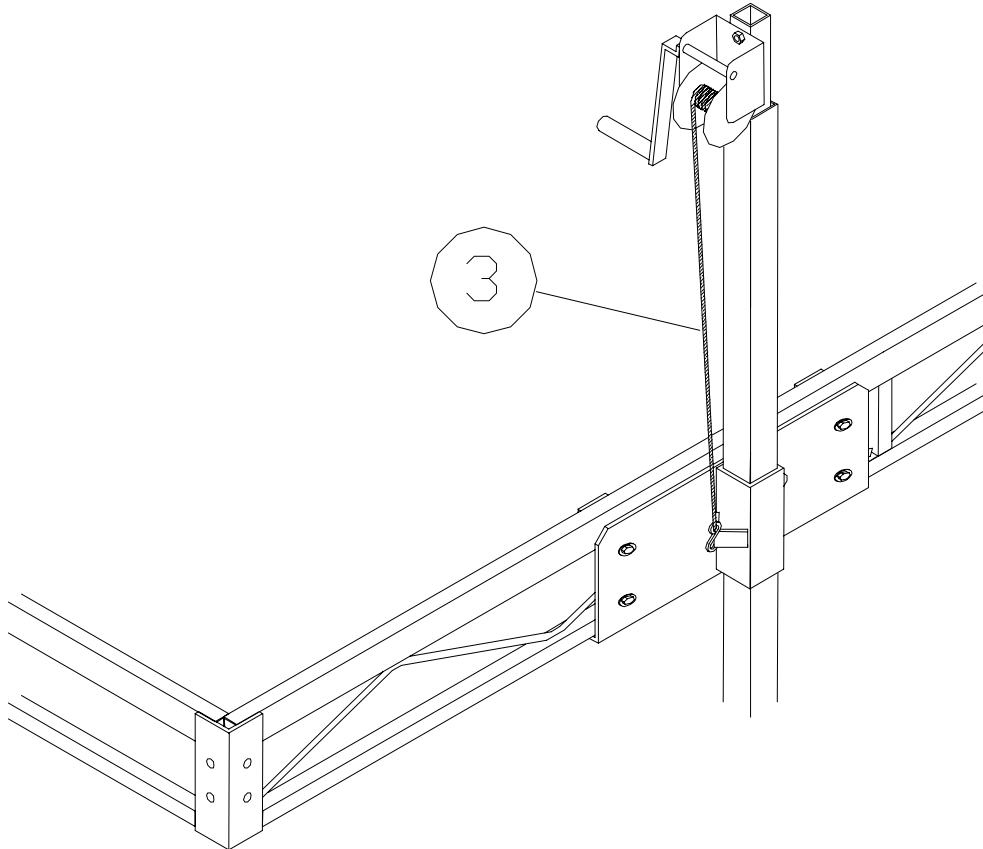
## **L94 DOCK LEVELER FOR BOLT ON WHEEL KIT**

**Thank you for purchasing our product!**  
**\*Please read these instructions and follow them step by step.\***

**STEP 1.** Slide the dock leveler tube into the upright tube of the wheel kit.



**STEP 2.** Attach the S - hook of the cable onto the angle of the wheel kit side plate. Loosen set screws before adjusting dock.. Adjust dock to desired height, then re-tighten set screws.



**CAUTION:**

**NEVER RELEASE WINCH HANDLE WHEN RATCHET LEVER IS IN UNLOCKED POSITION WITH LOAD ON WINCH**

**L94 DOCK LEVELER FOR BOLT ON WHEEL KIT PARTS LIST**

<b>REF#</b>	<b>PART#</b>	<b>DESCRIPTION</b>	<b>QTY</b>
1	0797	Dock Leveler tube 19"	1
2	3009	Winch DL900 W/Hdwe	1
3	3057	Cable 3/16" x 8' W/S - hook	1
4	5056	Nut 3/8"	2
5	5070	Washer 3/8"	2
6	5083	Bolt 3/8" x 2 1/2" GR 2	2
7	3008	Winch handle DL	1