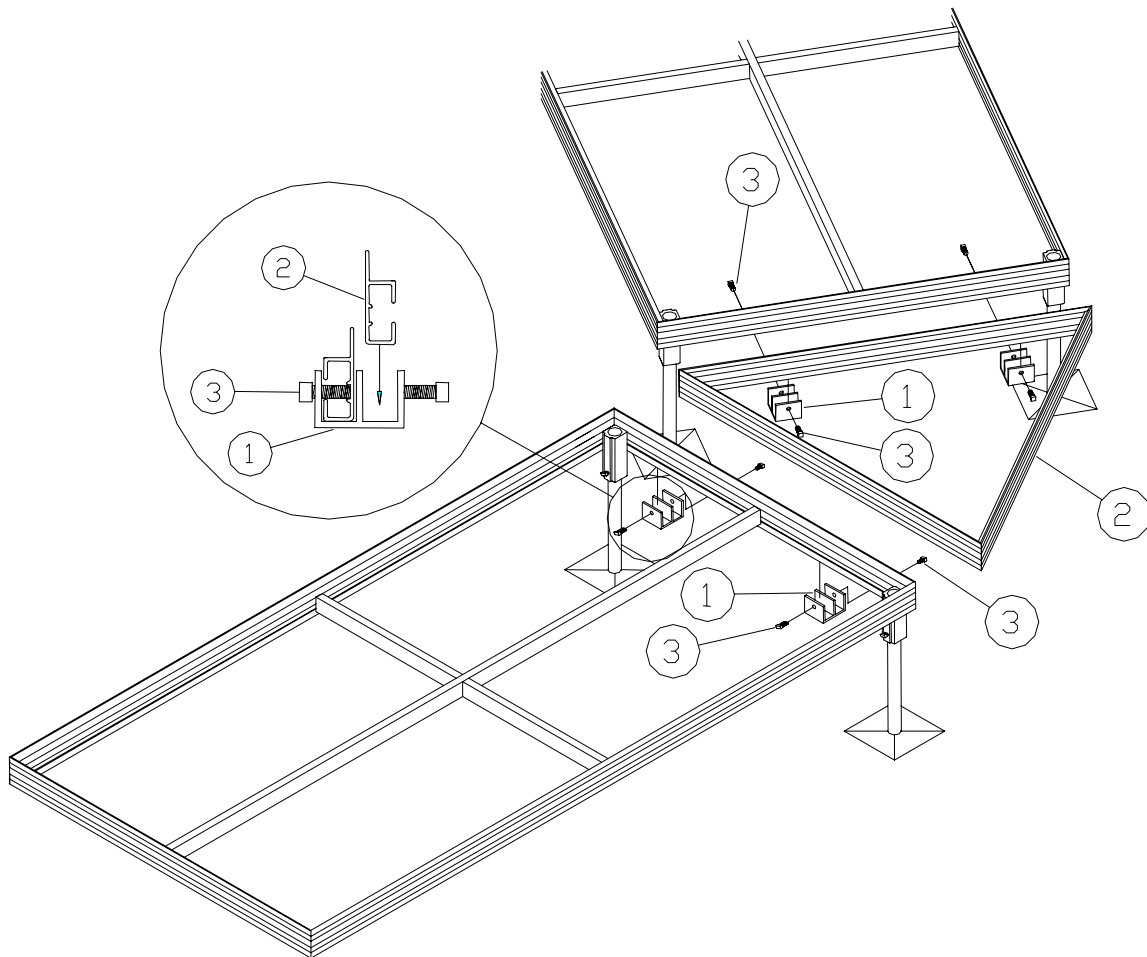


POST DOCK CORNERS
L17 ACPD 4' 45° TRI SECTION
L12(B) APPD 4' 45° TRI SECTION

Thank you for purchasing our product.
Please read these instructions and follow them step by step.

NOTE: For APPD sections only, run foam tape on outside and inside of frame.

STEP 1. Take the two post dock connector brackets (**REF. # 1**) and attach to the lake end of the post dock frame with 1/2" x 2" set screws (**REF. # 3**) as shown in diagram. Slide the tri section frame (**REF. # 2**) into the connector brackets and secure with 1/2" x 2" set screws. Bolt two connector brackets to the tri section frame with 1/2" x 2" set screws (**REF. # 3**) on the side where the next dock will connect. Slide the four pocket dock into the connector brackets and secure with 1/2" x 2" set screws (**REF. # 3**). Install the panel (**REF. # 5**).



REF. #	Part #	Description	Qty
1	30052	POST DOCK CONNECTOR BRACKET	2
2	M90	POST DOCK TRI SECTION FRAME	1
3	5173	1/2" X 2" SET SCREW	4
4	4108	FOAM TAPE 16' - APPD ONLY	1
5	BB42(B)	4' ALUMINUM TRI SECTION PANEL	1
	BB40	4' CEDAR TRI SECTION PANEL	1