

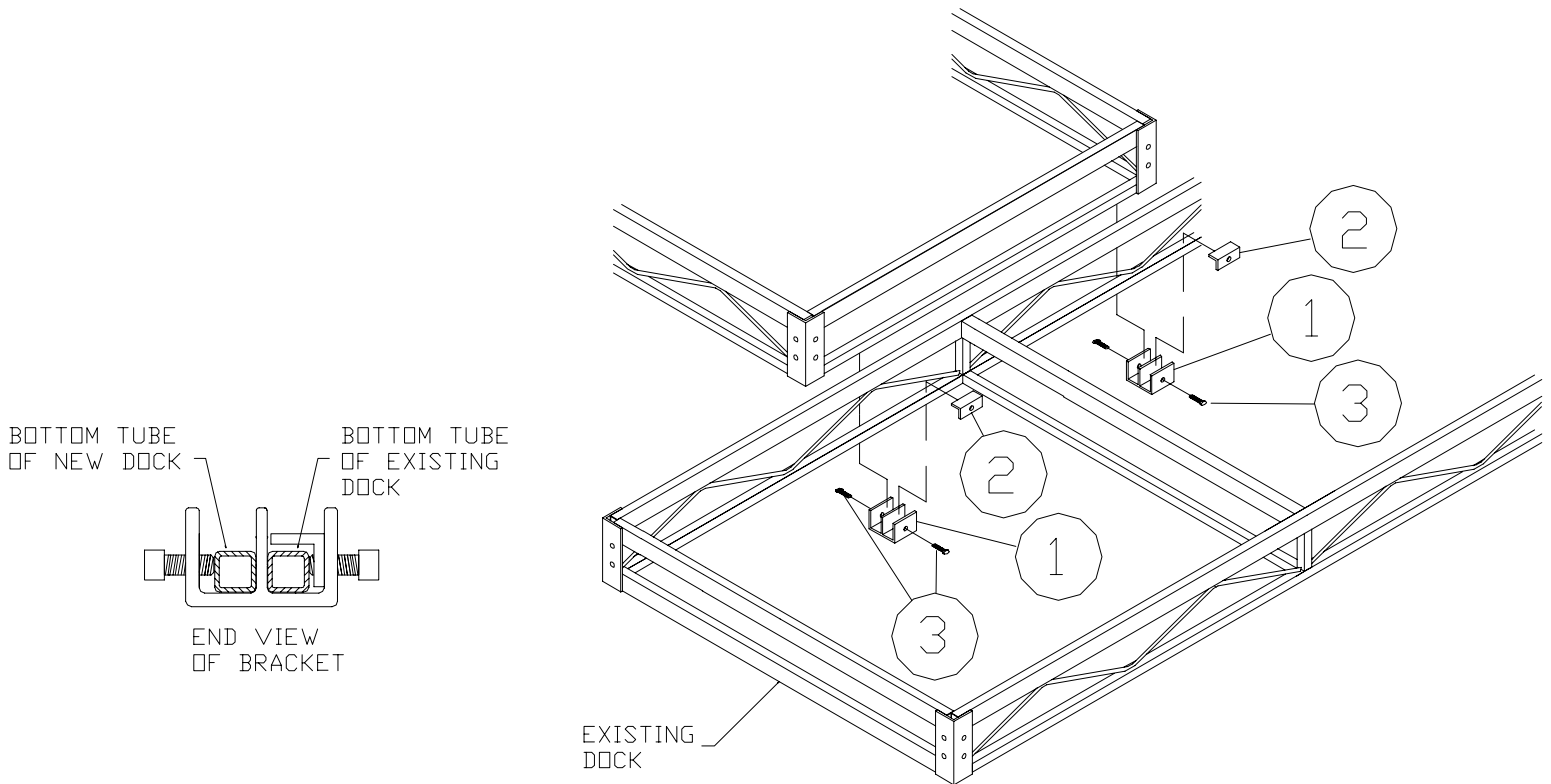
E46 SLIP BRACKET

**Thank you for purchasing our product.
 Please read these instructions and follow step by step.**

STEP 1. Where one corner of the additional section will be, place the slip bracket E-channel (**Ref. # 1**) on to the bottom 1" X 1" tube of the existing dock. Place the stop angle (**Ref. # 2**) between the tube and the E-channel, with the holes in the E-channel and the stop angle lining up. Secure with a 1/2" x 1" set screw (**Ref. # 3**).

STEP 2. Place the other E-channel on the existing dock at the widest point allowed by the additional section. Secure as in Step 1.

STEP 3. With the E-channels in place on your existing dock, place the bottom of the additional dock section into the other halves of the E-channels. Secure in place with set screws (**Ref. # 3**).



REF. #	PART #	DESCRIPTION	QTY
1	50380	E-Channel	1
2	50381	Stop Angle	1
3	5174	1/2" x 1" Set Screw Square Head	2