

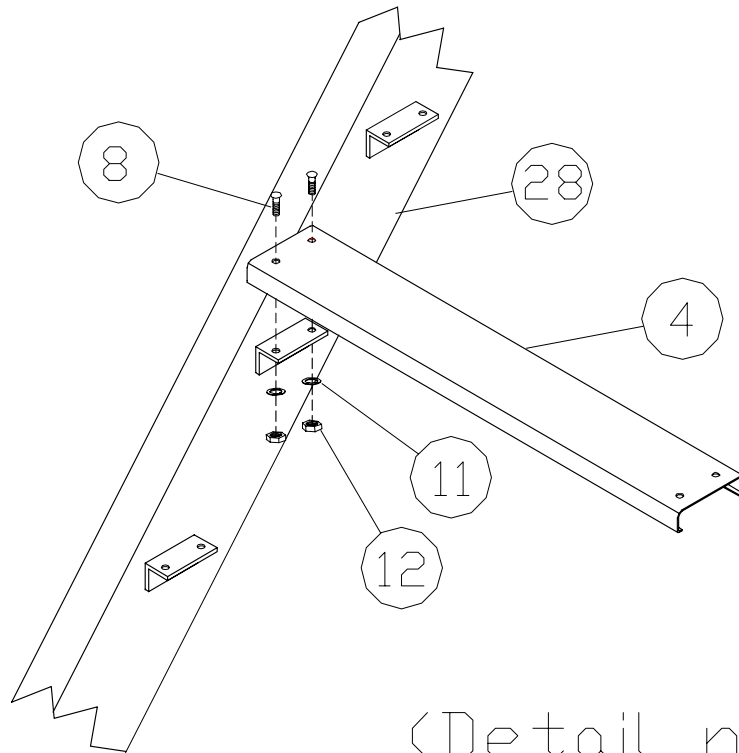
## PORTA-DOCK, INC.

### L50-4 STEP ALUMINUM DOCK STEP, L53-6 STEP ALUMINUM DOCK STEP L54-8 STEP ALUMINUM DOCK STEP

**Thank you for purchasing our product!**  
**\*Please read these instructions and follow them step by step.\***

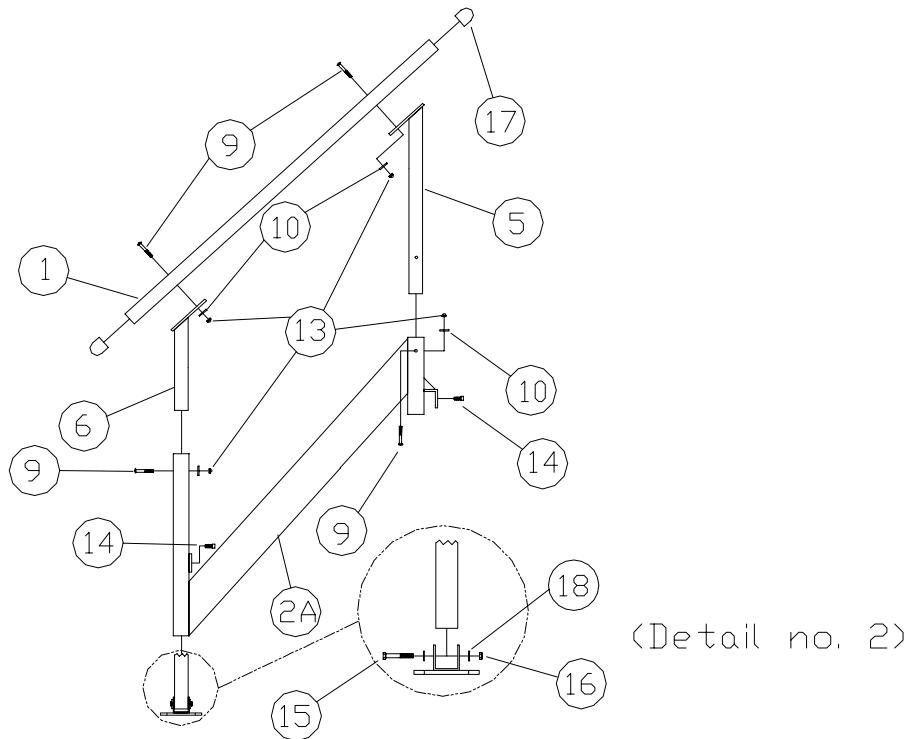
#### STEP INSTRUCTIONS

**Step 1.** First locate your right & left sides (**REF. # 2A & 2B**) and the Alum. Dock Steps (**REF. # 4**). Attach steps to side frames using 1/4 X 3/4" carriage bolt, lock washers & nuts (**REF. # 8, 11 & 12**).  
**Note:** Keep bolts loose until all steps are attached. Tighten until the head of the carriage Bolts are flush with the dock steps.



**Step 2.** Attach footpad onto bottom of leveling leg tube (**REF. # 7 & 3**) with 3/8" X 2 1/2" bolt, washers & locknut (**REF. # 15, 16 & 18**). Footpad should be able to swivel freely. Insert your dock step leveling leg tube into the lower side frame pocket & secure with a 1/2" X 1" set screw (**REF. # 14**). Finger tighten at this time. (See detail no.2).

**Step 3.** Locate bottom rail upright arms (**REF. # 6**) & insert into the lower pockets of the side frame & secure with 1/4" X 2" carriage bolt, 1/4" flat washers & acorn nut (**REF. # 9, 10 & 13**). Follow the same procedure for the top railing upright arms (**REF. # 5**). Secure the handrail (**REF. # 1**) to the lower & top upright arms with 1/4" x 2" carriage bolt, 1/4" washer & acorn nut (**REF. # 9, 10 & 13**). Slide end caps (**REF. # 17**) on hand rail tubes. (See detail no.2).



**Step 4.** Place the hook bracket that is on the top of the dock steps over the bottom tube of the dock. Secure in place with 1/2" X 1" set screws. Adjust the bottom leveling leg tube until your dock steps are approximately level. Tighten setscrews at this time.

**PARTS LIST**

<b>REF. #</b>	<b>PART NO.</b>	<b>DESCRIPTION</b>	<b>4 STEP QTY</b>	<b>6 STEP QTY</b>	<b>8 STEP QTY</b>
1	30705	RAILING 4 STEP	2	-	-
	30716	RAILING 6 STEP	-	2	-
	30717	RAILING 8 STEP	-	-	2
2A	E35	4 STEP RIGHT SIDE	1	-	-
2B	E36	4 STEP LEFT SIDE	1	-	-
	E95	6 STEP RIGHT SIDE	-	1	-
	E96	6 STEP LEFT SIDE	-	1	-
	E97	8 STEP LEFT SIDE	-	-	1
	E98	8 STEP RIGHT SIDE	-	-	1
3	30706	STEP LADDER LEV.LEG TUBE	2	2	2
4	30711	STEP WITH NON SKID TAPE	4	6	8
5	E33	TOP RAILING UPRIGHT ARMS	2	2	2
6	E32	BOTTOM RAILING UPRIGHT ARMS	2	2	2
7	E34	DOCK STEP FOOT PADS	2	2	2
8	5150	1/4"X 3/4" CARRIAGE BOLT	16	24	32
9	5181	1/4"X 2" CARRIAGE BOLT	8	8	8
10	5075	1/4" FLATWASHER	8	8	8
11	5076	1/4" LOCK WASHER	16	24	32
12	5055	1/4" NUT	16	24	32
13	5041	1/4" ACORN NUT	8	8	8
14	5174	1/2"X 1" SET SCREW	4	4	4
15	5083	3/8"X 2 1/2" BOLT	2	2	2
16	5038	3/8" NYLOCK NUT	2	2	2
17	3810	1 1/2" SQ. CAPS	4	4	4
18	5070	3/8" WASHER	4	4	4