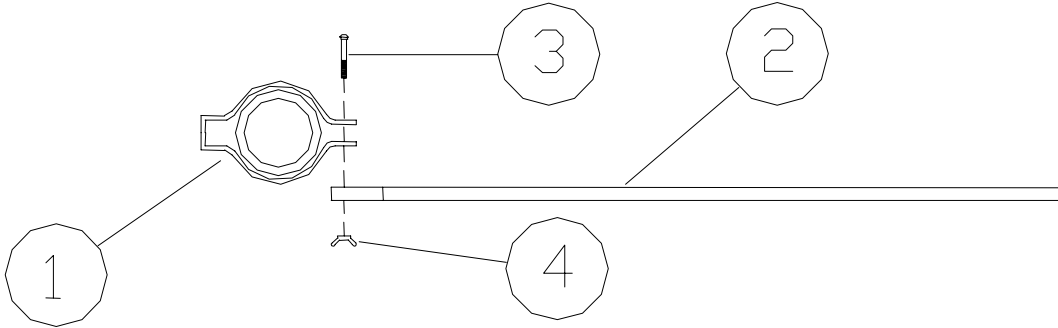


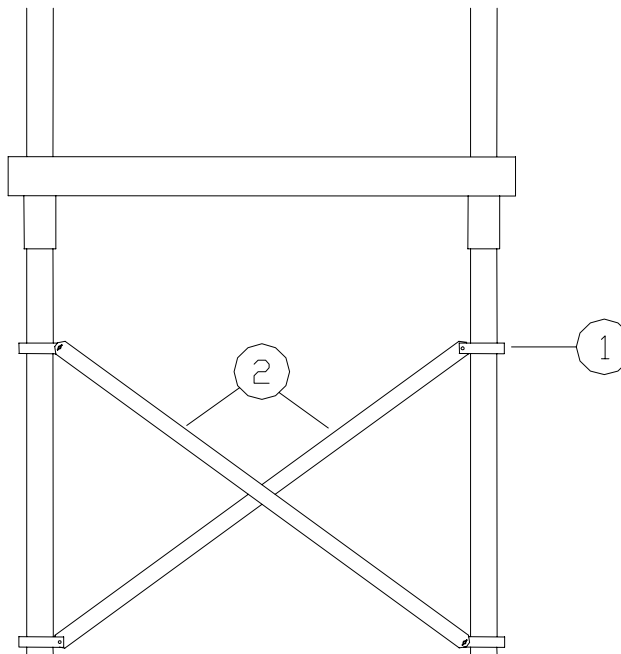
## **C78 STABILIZER KIT FOR POST DOCK**

**Thank you for purchasing our product!**  
**\*Please read these instructions and follow them step by step.\***

**Step 1.** Slip pipe clamp (**REF. #. 1**) over dock post. Place 1/4" X 1 1/2" carriage bolt (**REF. # 3**) through both holes of pipe clamp. (**NOTE:** Head of bolt should be on the square hole side of clamp). Fasten end of stabilizer bar (**REF. #. 2**) to the side of pipe clamp with a 1/4" wing nut (**REF. #. 4**). Tighten wing nut until pipe clamp is held in position.



**Step 2.** Slide pipe clamp on other dock post and fasten to other end of stabilizer bar. Do the same to the other stabilizer bar so that you form an "X" between the dock posts.



<b>REF. #</b>	<b>PART #</b>	<b>DESCRIPTION</b>	<b>QTY</b>
1	5014	PIPE CLAMP	4
2	30066	STABILIZER BAR	2
3	5180	1/4" X 1 1/2" CARRIAGE BOLT	4
4	5060	1/4" WING NUT	4