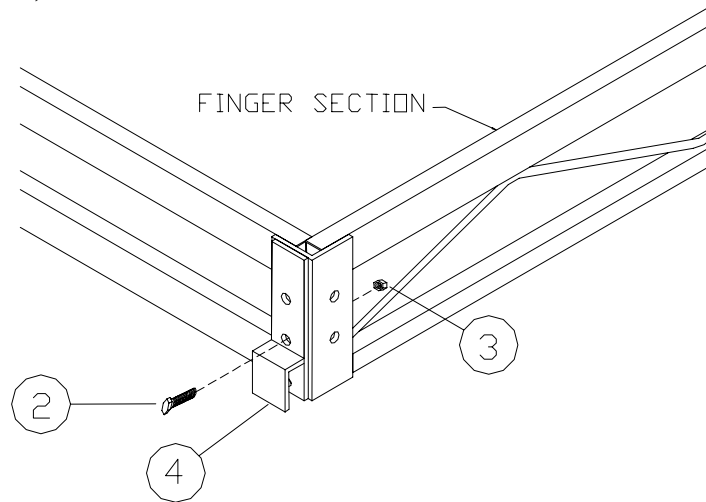


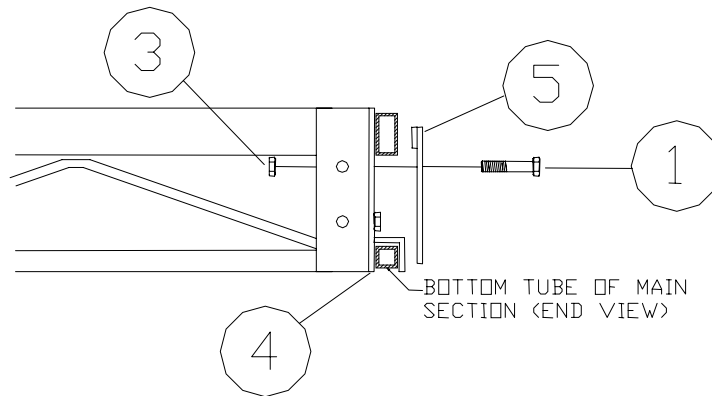
C46-STEEL AND 5' ALUMINUM SPIDER BRACKET
C47-ALUMINUM SPIDER BRACKET

Thank you for purchasing our product
****Please read and follow these instructions step by step****

Step 1. Attach bracket (REF. # 4), to end of finger section, with one 1/2" x 1" bolt (REF. # 2) and 1/2" nut (REF. # 3).



Step 2. Place "H" of the bracket over bottom tube of main dock section. Attach backing plate (REF. #5) with spacer up, from back side with 1/2" X 2 1/2" bolt (REF. # 1) and nut. Tighten bolts and finger section is ready to use.



REF. #	PART #	DESCRIPTION	QTY
1	5120	1/2" X 2 1/2" BOLT	1
2	5123	1/2" X 1" BOLT	1
3	5058	1/2" NUT	2
4	C69	"H" BRACKET FOR AL. SPIDER BRKT	1
	C68	"H" BRACKET FOR ST.- 5' SPIDER BRKT	1
5	C67	BACKING PLATE FOR AL. SPIDER BRKT	1
	C66	BACKING PLATE FOR ST-5' SPIDER BRKT	1