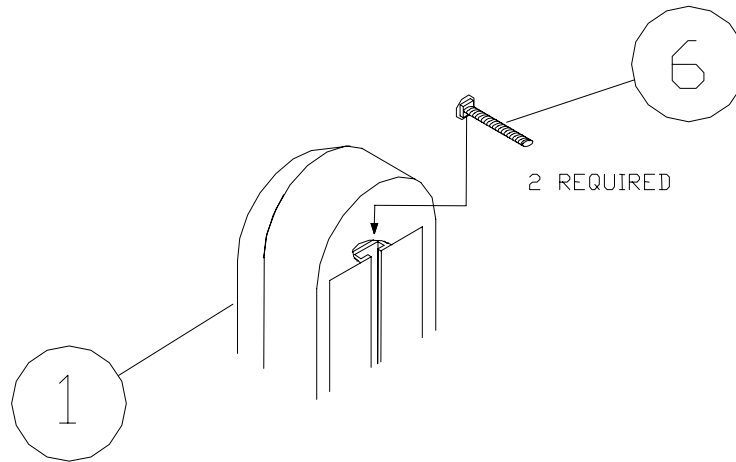


C111 2' DLX POST DOCK MOLDED VERTICAL BUMPER

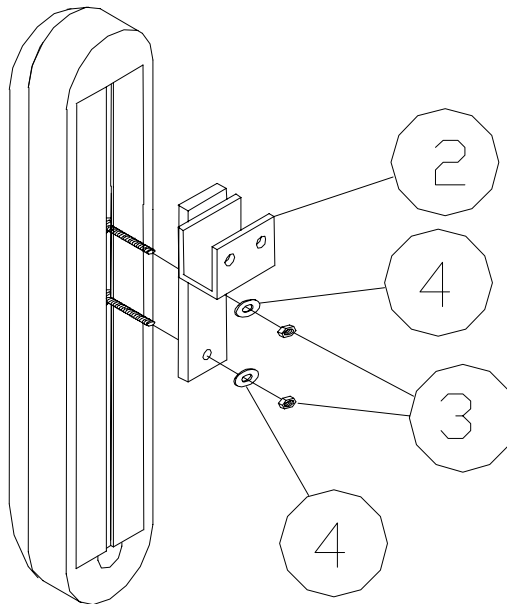
Thank you for purchasing our product!

Please read these instructions and follow them step by step.

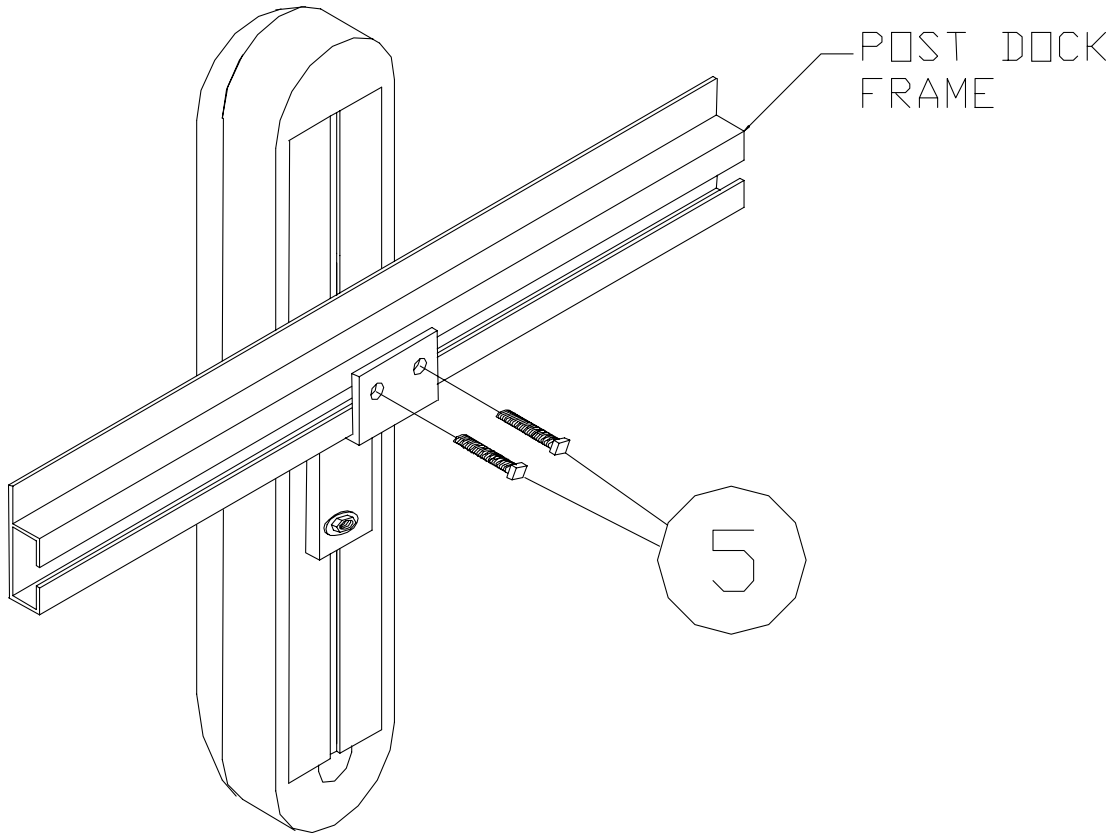
STEP 1. On the backside of the bumper (**REF #1**) there is an indentation at the bottom. Slide two 3/8" x 2 1/2" carriage bolts (**REF # 6**) into the indentation and into the slot.



STEP 2. Place the post dock bumper-mounting bracket (**REF #2**) onto the carriage bolts. Secure with 3/8" washers and nuts (**REF #4 & 3**).



STEP 3. Slip the channel part of the bumper bracket into the framework of the post dock section. Secure in place with 1/2" x 2" set screws (**REF #5**).



REF. #	PART #	DESCRIPTION	QTY
1	0819	ALUM BUMPER TUBE	1
1a.	3212	BUMPER 24" MOLDED #4	1
2	22D	PD DLX BUMPER MTG BRKT	1
3	5056	NUT 3/8"	2
4	5070	WASHER 3/8"	2
5	5173	SET SCREW 1/2" X 2"	2
6	5187	CARRIAGE BOLT 3/8"X1 1/4"	2