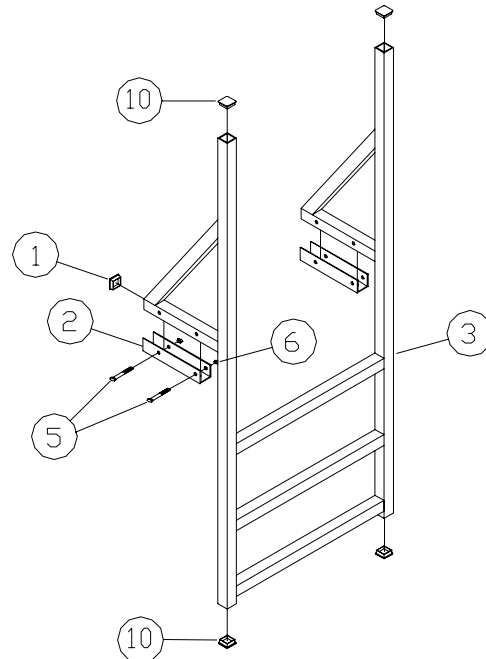


## C06 POST DOCK LADDER

**Thank you for purchasing our product!**

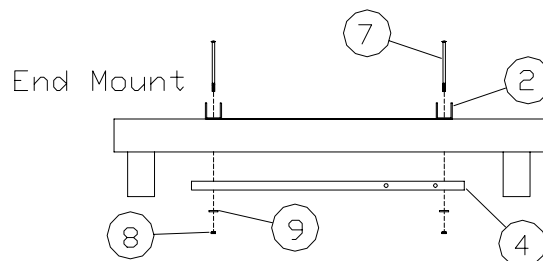
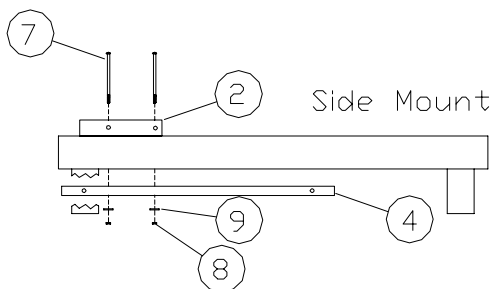
**\*Please read these instructions and follow them step by step.**

**Step 1.** Place end caps (**Ref. # 1**) into the ends of the ladder. Temporarily bolt mounting channels (**Ref. # 2**) to ladders horizontal arms (**Ref. # 3**) with 3/8" x 2" bolts and nuts (**Ref. # 5 & 6**). Set the ladder in desired location and trace the outline of each mounting channel onto the deck. Remove mounting channels from ladder and place them in the same direction onto the traced outlines and mark the hole locations. Drill the four holes with a 3/8" drill bit.



**Step 2.** Align mounting channels with holes in deck.

Place 5/16" x 5" carriage bolt (**Ref. # 7**) through channels and decking. Find the 1" x 1" backer tubes (**Ref. # 4**). If mounting the ladder from the side of the dock, place the backer tube underneath the section so that the tube is against the side and center tubes of the dock. Fasten to carriage bolts with washers and 5/16" nuts (**Ref. # 8 & 9**). If mounting from the end, have the backer tubes straddle the center tube of the dock. Fasten with washers and nuts. **NOTE:** Nuts are tight enough when a bow is visible in backer tube.



**Step 3.** Place ladder into the mounting channels and secure in place with 3/8" x 2" bolts.

<b>REF. NO.</b>	<b>PART NO.</b>	<b>DESCRIPTION</b>	<b>QTY</b>
1	3816	1 1/2" END CAPS	4
2	30195	PD LADDER BRACKET	2
3	C45	PD.LADDER ASSEMBLY	1
4	30196	1" X 1" BACKER TUBE	2
5	5082	3/8" X 2" BOLT	4
6	5056	3/8" NUT	4
7	5200	5/16" X 5" CARRIAGE BOLT	4
8	5054	5/16" NUT	4
9	5068	5/16" WASHER	4
10	3810	1 1/2" GRAY CAP	2