

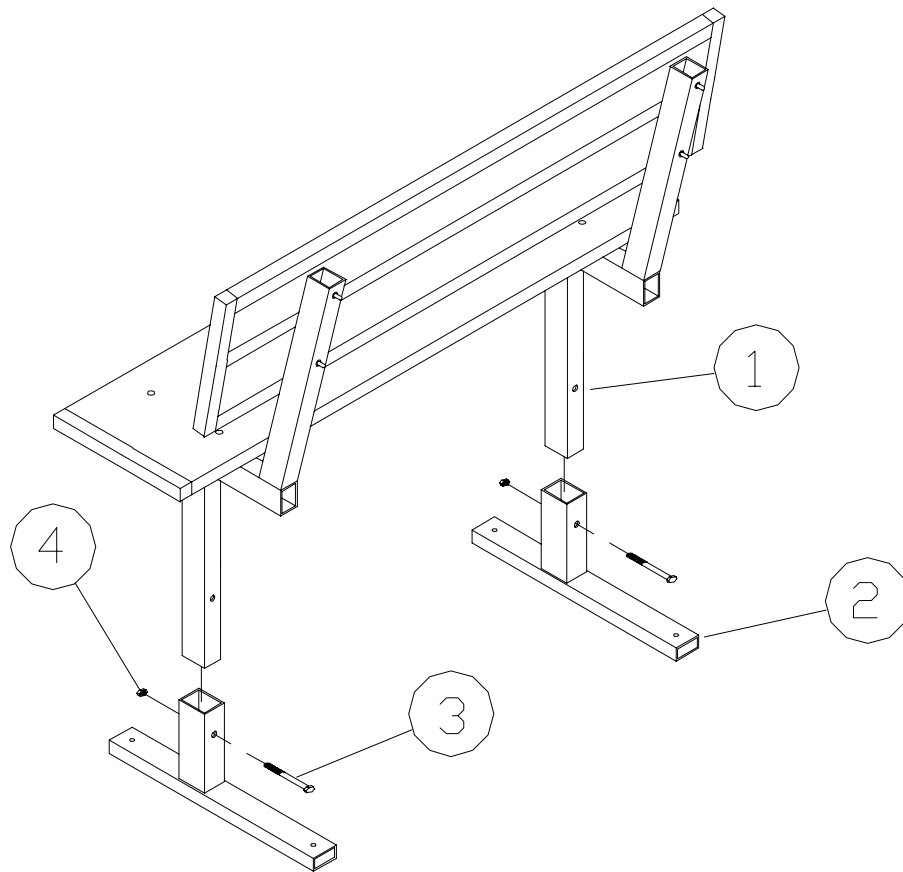
**C01 SOLID TYPE BENCH KIT**

**C05 WHITE C05B BEIGE SOLID TYPE BENCH KIT FOR ALUMINUM COMPLETE**  
**C72 SOLID TYPE BENCH KIT FOR CEDAR COMPLETE**

Thank you for purchasing our product.

Please read these instructions and follow them step by step.

**Step 1.** Bolt the bottom solid mounting brackets (**REF. # 2**) to the legs of the bench sides (**REF. # 1**) with 3/8" x 2 1/2" bolts and nuts.



<b>REF. #</b>	<b>Part #</b>	<b>Description</b>	<b>Qty</b>
1	C00	BENCH SIDE	2
2	C11	BENCH MOUNTING BRACKET	2
3	5083	3/8" X 2 1/2" BOLT	2
4	5056	3/8" NUT	2