

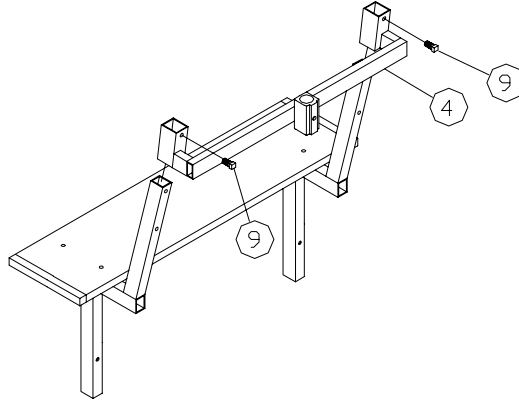
F55 PD BRACKET TYPE CEDAR BENCH KIT COMPLETE 44"

F95 PD BRACKET TYPE CEDAR BENCH KIT COMPLETE 56"

F56 WHITE F56B BEIGE PD BRKT TYPE ALUMINUM BENCH KIT COMPLETE 48"

F96 WHITE F96B BEIGE PD BRKT TYPE ALUMINUM BENCH KIT COMPLETE 60"

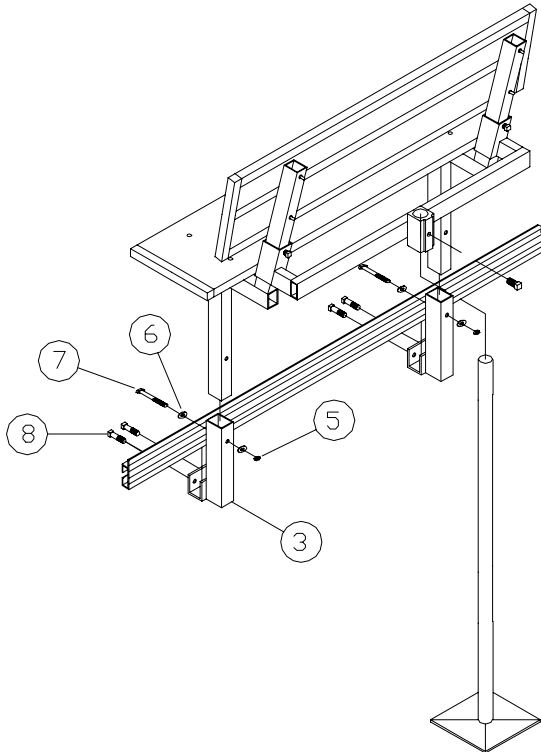
**Thank you for purchasing our product.
 Please read these instructions and follow them step by step.**



Step 1. Slide the bench support bracket (**REF # 4**) over the uprights of the bench side. Secure in place with 1/2" X 1" set screw (**REF # 9**). Bolt on the back of the bench as shown in the seat and back mounting instructions.

Step 2. Install the bench mounting brackets to the post dock using 1/2" X 2" set screws (**REF # 8**), leave finger tight at this time. Slide a post into the pocket on the bench support bracket, secure in place with a 1/2 X 1" set screw (**REF. # 9**). Bolt the bench into the

bench mounting brackets using 3/8" X 3" bolts, washers, and nuts (**REF. # 7, 6, 5**). Set the post to the desired height, tighten all bolts and set screws at this time.



**POST PURCHASED SEPERATLY
 DUE TO VARYING WATER DEPTHS**

REF.#	PART #	DESCRIPTION	QTY
2	C00	BENCH SIDE ALUM	2
3	F22	BENCH PD MTG BRKT	2
4	F46	BENCH PD SUPPORT BRKT FOR POST	1
5	5056	NUT FIN 3/8"	2
6	5070	WASHER 3/8"	4
7	5084	BOLT 3/8" X 3" GR 2	2
8	5173	SET SCREW 1/2" X 2"	4
9	5174	SET SCREW 1/2 X 1"	3