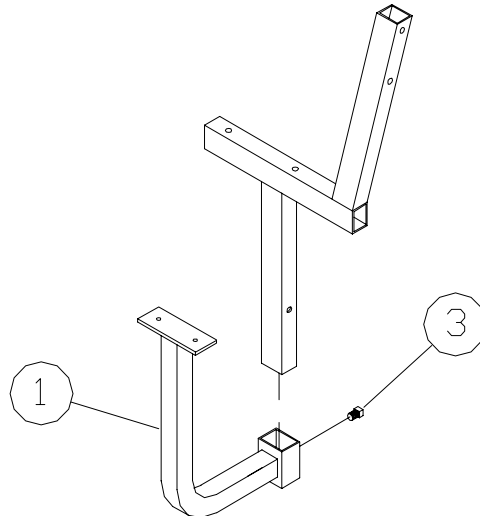


**F71 ARM REST 4' CEDAR PAIR**  
**F77 ARM REST 4' WHITE \* F77B ARM REST 4' BEIGE PAIR**  
**F72 ARM REST 5' CEDAR PAIR**  
**F86 ARM REST 5' WHITE F86B ARM REST 5' BEIGE PAIR**

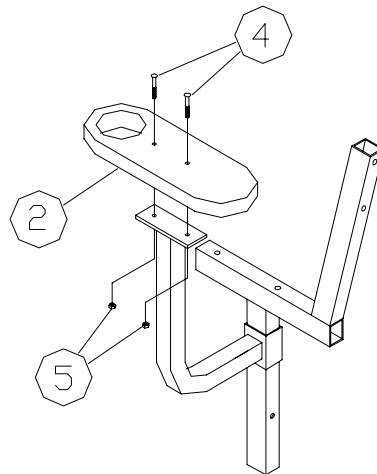
**Thank you for purchasing our product.**

**Please read these instructions and follow them step by step.**

**Step 1.** Slide the arm rest support tube (**REF. #1**) onto the bottom tube of the bench side. Set to desired height and secure with 1/2" X 5/8" set screw (**REF. #3**).



**Step 2.** Bolt the arm rests (**REF. # 2**) to the flat plate on top of the arm rest support tube using 1/4" X 2" carriage bolts and nuts (**REF.# 4&5**) for cedar arm rests and 1/4" X 3/4" stainless steel carriage bolts and nuts (**REF.# 4&5**) for white and beige arm rests.



<b>REF. #</b>	<b>Part #</b>	<b>Description</b>	<b>Qty</b>
1	46F	ARM REST SUPPORT TUBE 4'	2
	46G	ARM REST SUPPORT TUBE 5'	2
2	3466	ARM REST CEDAR	2
	3099	ARM REST WHITE	2
	3099B	ARM REST BEIGE	2
3	5172	1/2" X 5/8" SET SCREW	2
4	5150	1/4" X 3/4" CARRIAGE BOLT S.S.	4
	5181	1/4" X 2" CARRIAGE BOLT	4
5	5055	1/4" NUT	46
	3098	CUP HOLDER WHITE	2