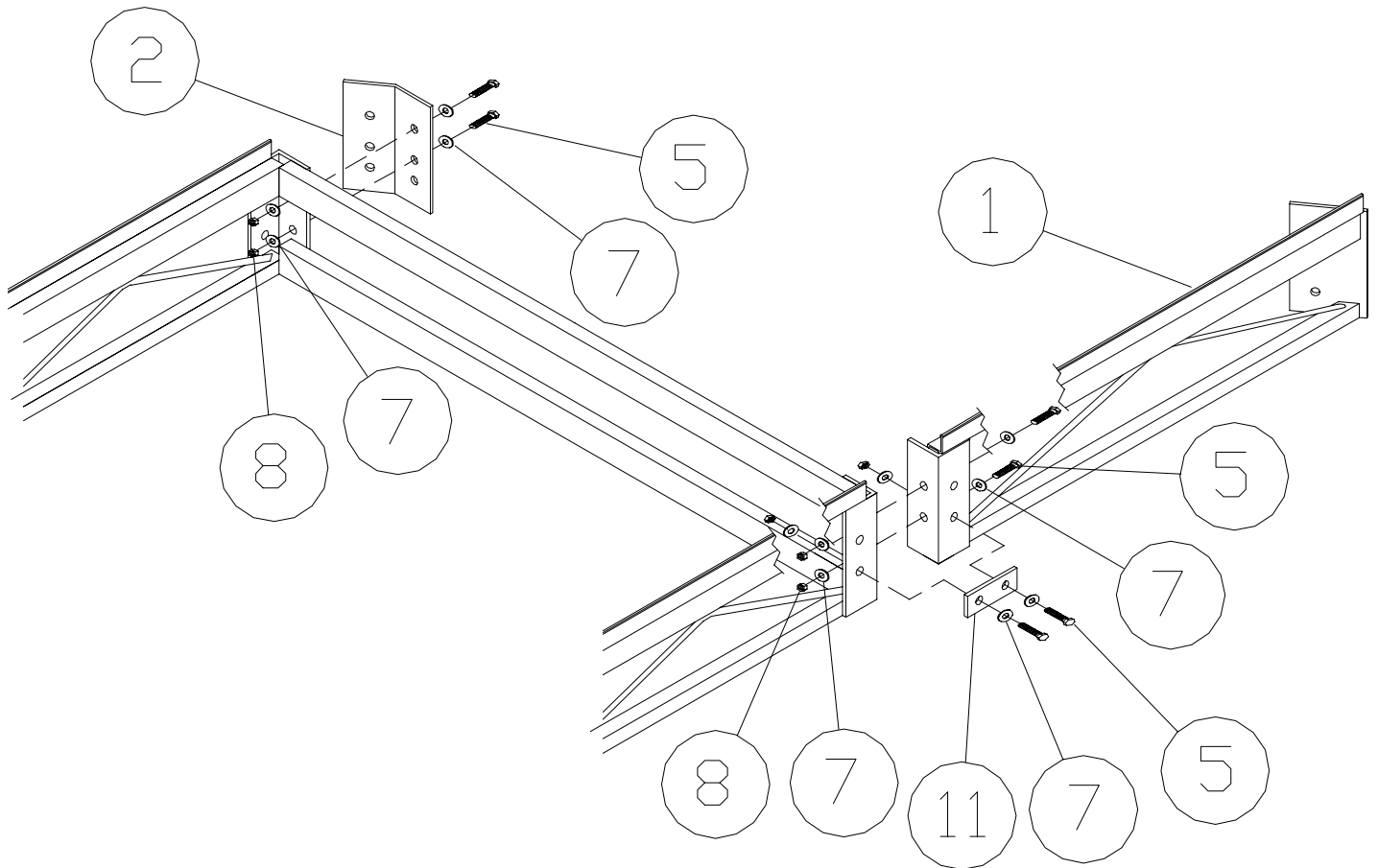


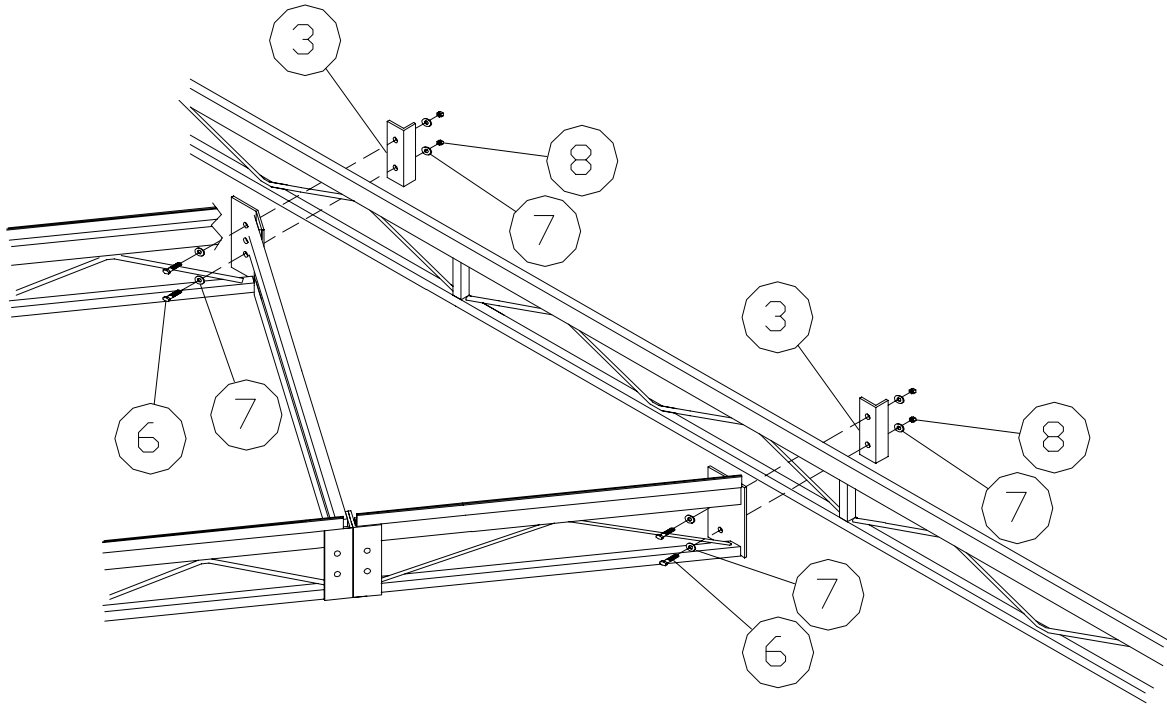
R18 APD DS 4' ANGULAR DECK EXTENSION RIGHT
R19 APD DS 4' ANGULAR DECK EXTENSION LEFT
R16 CPD DS 4' ANGULAR DECK EXTENSION RIGHT
R17 CPD DS 4' ANGULAR DECK EXTENSION LEFT

Thank you for purchasing our product!
Please read these instructions and follow them step by step.*

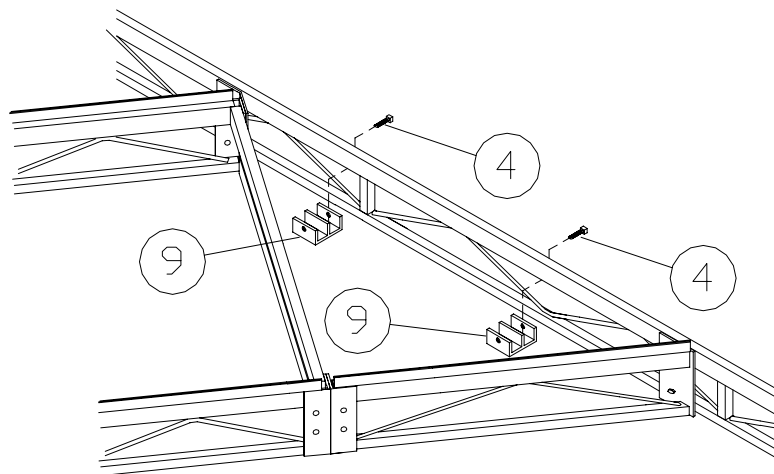
STEP 1. If the angled section is going to the left side of the main dock the angular extension frame (**REF. NO. 1**) will bolt to the left side of the dock section on the opposite end of the pockets. If the angled section is going to the right side of the main dock the angular extension frame (**REF. NO. 1**) will bolt to the right side of the dock section on the opposite end of the pockets. If using an 8' section as part of the angled walkway use that as the first section. Bolt the angular extension frame (**REF. NO. 1**) to the dock that will be first in the angled section, with 1/2" X 1 1/4" bolts, washers, and nuts (**REF. NO. 5, 7, & 8**). Make sure the corner angles are lined up before tightening the bolts. Bolt the dock connector (**REF. NO. 11**) to the bottom outside holes of the corner angles using 1/2" X 1 1/4" bolts, washers, and nuts (**REF. NO. 5, 7, & 8**). Bolt the inside corner end plate (**REF. NO. 2**) to the other side of the dock end so the inside of the bend is to the face of the dock angle with 1/2" X 1 1/4" bolts, washers, and nuts (**REF. NO. 5, 7, & 8**).



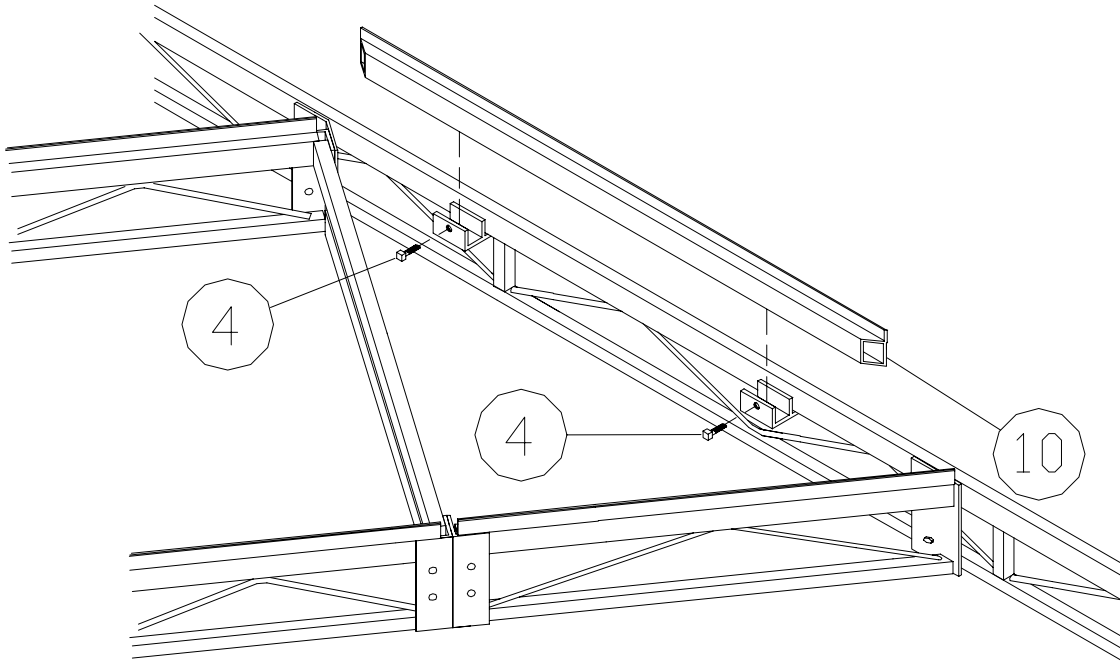
STEP 2. Slide the dock posts into the pockets of the dock and finger tighten the set screws place the dock in the desired location against the side of the main walkway and adjust the posts to the approximate height and tighten the set screws. Keeping the framework straight and level with the main dock, secure the end of the angled walkway to the side of the main walkway using backer angles, 1/2" X 2 1/2" bolts, washers, and nuts (**REF. NO. 3, 6, 7, & 8**).



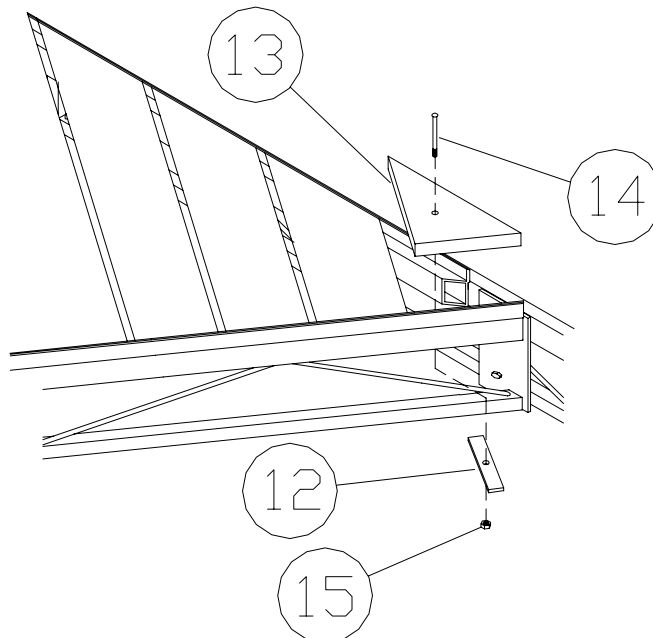
STEP 3. Fasten the E-channels (**REF. NO. 9**) to the main dock 3 to 6 inches from the ends of the angled section with 1" set screws (**REF. NO. 4**).



STEP 4. Place the support tube (**REF. NO. 10**) into the E-channels so it is centered in the opening and secure with 1" set screws (**REF. NO. 4**) leaving finger tight so the support tube doesn't tip.



STEP 5. On APD deck extensions only, run foam tape on the top side of the angular extension frame (**REF. # 1**) and the support tube (**REF. # 10**). Place the panel into the framework. If necessary adjust the frame to fit the panel evenly. On CPD models bolt the cedar wedge board (**REF. NO. 13**) to the frame with a 1/4" X 4" carriage bolt and clamping flat (**REF. NO. 12 & 14**).



R18 APD DS 4' ANGULAR DECK EXTENSION RIGHT
R19 APD DS 4' ANGULAR DECK EXTENSION LEFT
R16 CPD DS 4' ANGULAR DECK EXTENSION RIGHT
R17 CPD DS 4' ANGULAR DECK EXTENSION LEFT

REF. #	PART#	DESCRIPTION	CPD	APD
1	78D, 79D	ANGULAR EXTENSION FRAME	1	1
2	61050	INSIDE CORNER END PLATE ANGLED	1	1
3	61055	BACKER ANGLE	2	2
4	5174	SET SCREW 1/2" X 1"	4	4
5	5126	1/2" X 1 1/4" BOLT	6	6
6	5120	1/2" X 2 1/2" BOLT	4	4
7	5069	7/16" WASHER	20	20
8	5058	1/2" NUT	10	10
9	61053	E-CHANNEL	2	2
10	1754	SUPPORT TUBE	1	1
11	10000	DOCK CONNECTOR PLATE	1	1
12	30400	CLAMPING FLAT	1	-
13	61054	CEDAR WEDGE BOARD	1	-
14	5182	1/4" X 4" CARRIAGE BOLT	1	-
15	5055	1/4" NUT	1	-
16	4108	APD FOAM TAPE - 16'	-	1