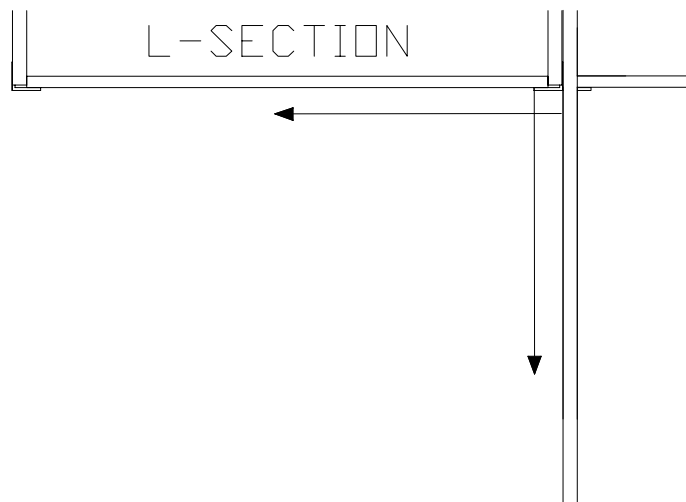


AA CORNER 4' AD60 DS RIGHT ** AD65 DS LEFT CORNER

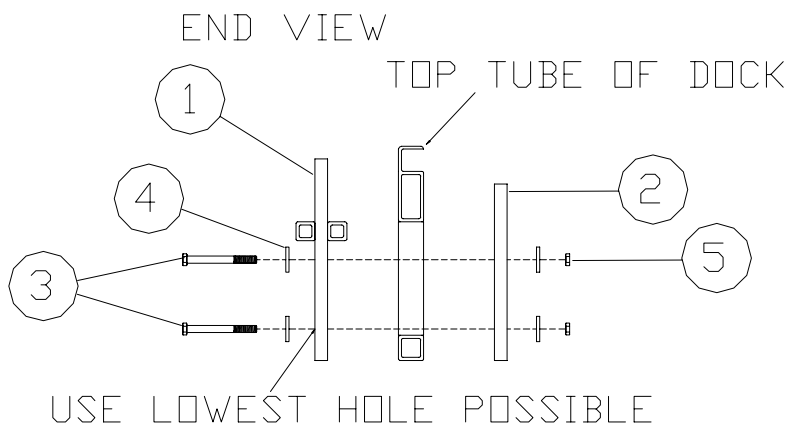
Thank you for purchasing our product!

Please read these instructions and follow them step by step.*

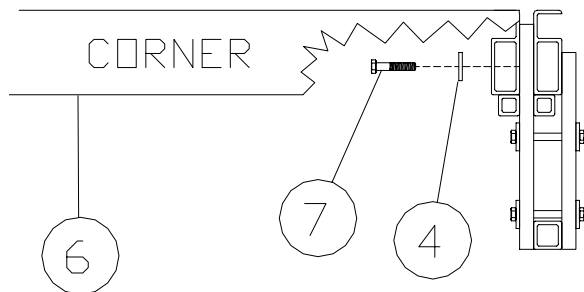
STEP 1. Find the location for the three mounting brackets by **measuring back from the inside corner toward shore mark the top tube at 6 1/4" and 42"**. Now starting from the **inside corner again mark the L section 42 1/4"**.



STEP 2. Take the three mounting plates with the tubes on (**REF. # 1**) and clamp them to the outside of the dock sections using 3/8" x 2 1/2" bolts (**REF. # 3**) with the plain plates (**REF. # 2**) to the inside. Make sure the tube on the mounting plate is up against the bottom of the top tube and the center of the plate is in line with your mark. Lightly tighten bolts until brackets stay in place.



STEP 3. Set the corner section (**REF. # 6**) on top of the tubes of the mounting plates. Fasten section to the top threaded holes of the mounting plate by passing a 3/8" x 1 1/2" bolt and washer (**REF. # 7 & 4**) THROUGH THE INSIDE HOLES OF THE CORNER SECTION. If need be tap the mounting plates to adjust the alignment of the holes. Tighten all bolts and nuts at this time.



REF. NO.	PART NO.	DESCRIPTION	QTY
1	F27	MOUNTING PLATE	3
2	50138	BACKER PLATE	3
3	5083	3/8" X 2 1/2" BOLT	6
4	5070	3/8" WASHER	15
5	5056	3/8" NUT	6
6	B26	FRAME RIGHT CORNER	1
6	B27	FRAME LEFT CORNER	1
7	5155	3/8" X 1 1/2" BOLT	3