

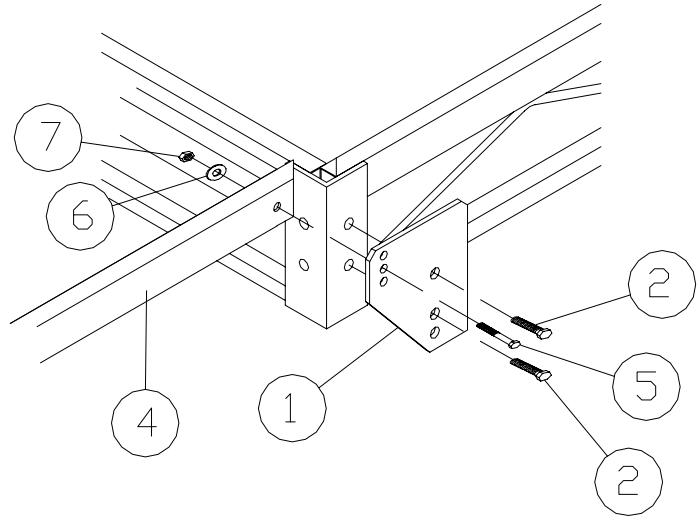
4' X 8' RAMPS R01 AA * R02 APD * R03 CPD * R11 SC * R12 GC *
5' X 8' RAMPS R04 AA * R05 APD * R06 CPD*

For Beige decking Add the Letter B to the Model

Thank you for purchasing our product!
Please read these instructions and follow them step by step.

NOTE: APD RAMP ONLY, RUN FOAM TAPE ON TOP OF ALL SIDES OF RAMP. (REF.#8)

STEP 1. Bolt ramp mounting brackets (Ref.#1) to the side of the angles on the dock section using 1/2" x 1 1/2" bolts and nuts (Ref.#2 & 3). If a post bracket is also used on the end of the section, bolt the ramp mounting bracket between the section angle and the post bracket.



STEP 2. Place the end of the ramp section (Ref.#4) with the holes, between the two mounting brackets and fasten to brackets with 3/8" x 2" bolts, washer and nut (Ref.#5,6 & 7).

STEP 3. The top hole in the mounting bracket is used for models **R01, R04, R02, R05, R06** and **R03** if the ramp is to be used in an upward position. The center hole is used for model **R01** and **R04** mounted in a downward position or it can be used for models **R12** and **R11** in an upward position. The bottom hole is used for models **R02, R03, R12** and **R11** in the downward position.

| REF. # | PART NO. | DESCRIPTION | AA | APD | APD B | CPD | GC | SC |
|--------|----------|-----------------------------|----|-----|-------|-----|----|----|
| 1 | 30100 | Ramp Mounting Bracket | 2 | 2 | 2 | 2 | 2 | 2 |
| 2 | 5124 | Bolt 1/2" X 1 1/2" | 4 | 4 | 4 | 4 | 4 | 4 |
| 3 | 5058 | Nut 1/2" | 4 | 4 | 4 | 4 | 4 | 4 |
| 4 | E31 | Frame AA Ramp 4'X8' | 1 | - | - | - | - | - |
| | E39 | Frame APD/CPD Ramp 4'X8' | - | 1 | 1 | 1 | - | - |
| | B86 | APD Panel 4' Straight | - | 1 | - | - | - | - |
| | B86B | APD Panel Beige 4' Straight | - | - | 1 | - | - | - |
| | E53 | CPD Panel 4' Straight | - | - | - | 1 | 1 | 1 |
| | E49 | Frame GC Ramp 4'X8' | - | - | - | - | 1 | - |
| | E84 | Frame SC Ramp 4'X 8' | - | - | - | - | - | 1 |
| | E85 | APD/CPD Ramp 5'X8' | - | 1 | 1 | - | - | - |
| | B13 | APD Panel 5' Straight | - | 1 | - | - | - | - |
| | B13B | APD Panel Beige 5' Straight | - | - | 1 | - | - | - |
| | B10 | CPD Panel 5' Straight | - | - | - | 1 | - | - |
| 5 | 5082 | Bolt 3/8" X 2" | 2 | 2 | 2 | 2 | 2 | 2 |
| 6 | 5070 | Washer 3/8" | 2 | 2 | 2 | 2 | 2 | 2 |
| 7 | 5056 | Nut 3/8" | 2 | 2 | 2 | 2 | 2 | 2 |
| 8 | 4108 | APD FOAM TAPE 16' ROLL | - | 2 | 2 | - | - | - |