

**4' X 4' RAMP A12 4' AA \*A89 4' APD \*A99 4' CPD \*S52 4' SC \*G52 4' GC\***  
**5' X 4' RAMP L65 5' APD RAMP, L70 5' CPD RAMP**

**\*For Beige Decking add the Letter B to the Model.\***

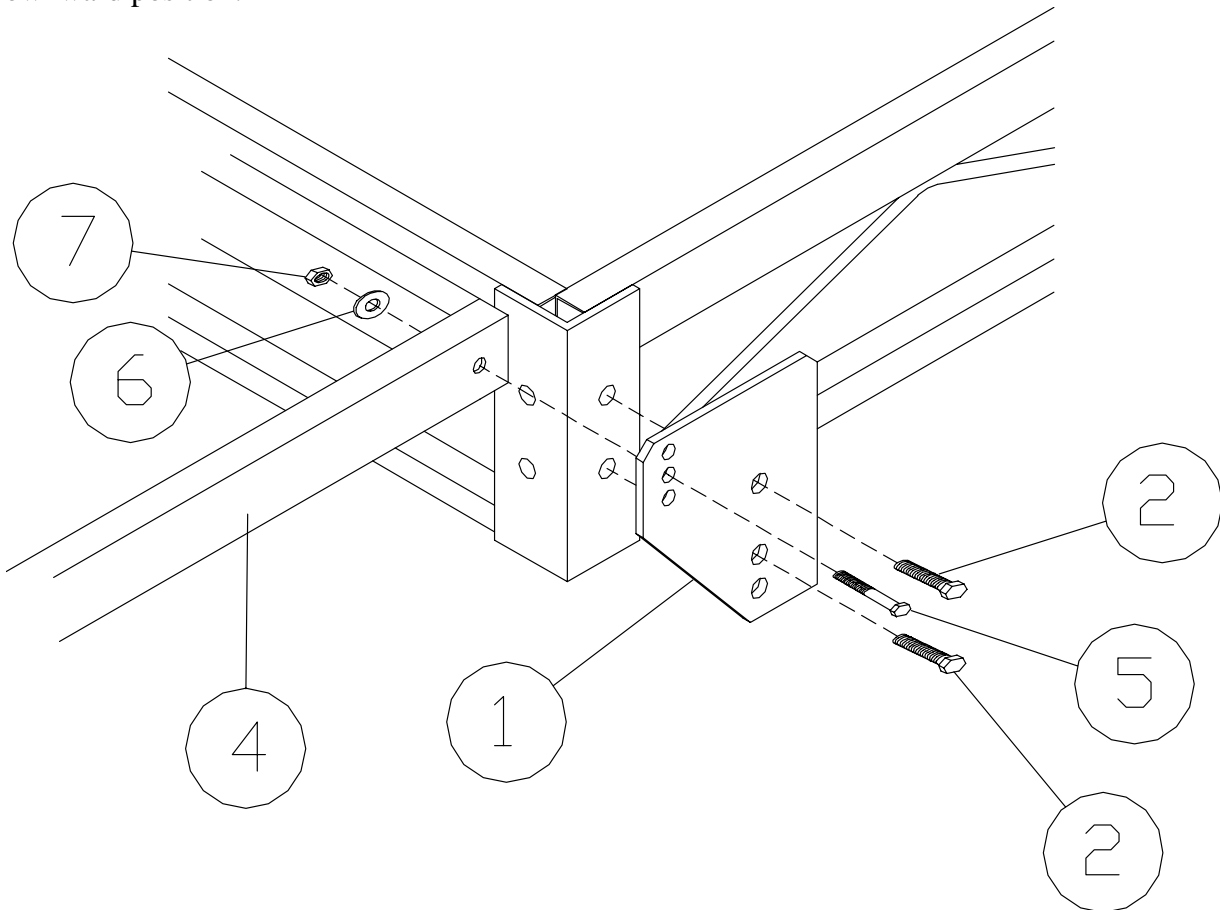
**Thank you for purchasing our product.  
Please read these instructions and follow them step by step.**

**NOTE:** All above ramps are 4' OR 5' X 4' in length and on APD ramps only, run foam tape on top of all sides of the ramp (**REF. # 8**).

**STEP 1.** Bolt ramp mounting brackets (**REF. # 1**) to the side of the angles on the dock section using 1/2" X 1 1/2" bolts and nuts (**REF. # 2 & 3**). If a post bracket is also used on the end of the section, bolt the ramp mounting bracket between the section angle and the post bracket.

**STEP 2.** Place the end of the ramp section (**REF. # 4**) with the holes, between the two mounting brackets and fasten to brackets with 3/8" X 2" bolts, washer and nut (**REF. # 5, 6 & 7**).

**STEP 3.** The top hole in the mounting bracket is used for models **A12, A89, L65, L70 & A99** if the ramp is to be used in an upward position. The center hole is used for model **A12** mounted in a downward position or it can be used for models **G52 & S52** in an upward position. The bottom hole is used for models **A89, A99, G52 & S52** in the downward position.



**PARTS LIST FOR 4' OR 5' X 4' RAMPS**

<b>REF. #</b>	<b>Part #</b>	<b>Description</b>	<b>AA</b>	<b>APD</b>	<b>APD B</b>	<b>CPD</b>	<b>GC</b>	<b>SC</b>
1	30100	Ramp Mounting Bracket	2	2	2	2	2	2
2	5124	Bolt 1/2" X 1 1/2	4	4	4	4	4	4
3	5058	Nut 1/2"	4	4	4	4	4	4
4	B30	Frame <b>AA</b> 4' Ramp & Decking	1	1	1	1	1	1
	B47	Frame <b>APD/CPD</b> 4' Ramp	-	1	1	1	-	-
	H13	Frame <b>APD/CPD</b> 5' Ramp	-	1	1	1	-	-
	H32	Frame <b>GC</b> 4' Ramp	-	-	-	-	1	-
	T32	Frame <b>SC</b> 4' Ramp	-	-	-	-	-	1
	B86	<b>APD</b> Panel 4' Straight	-	1	-	-	-	-
	B86B	<b>APD</b> Panel <b>Beige</b> 4' Straight	-	-	1	-	-	-
	B53	<b>CPD/GC/SC</b> – Cedar Panel 4' Straight	-	-	-	1	1	-
	B13	<b>APD</b> Panel 5' Straight	-	1	-	-	-	-
	B13B	<b>APD</b> Panel <b>Beige</b> 5' Straight	-	-	1	-	-	-
	B10	<b>CPD</b> – Cedar Panel 5' Straight	-	-	-	1	-	-
5	5082	Bolt 3/8" X 2"	2	2	2	2	2	2
6	5070	Washer 3/8"	2	2	2	2	2	2
7	5056	Nut 3/8"	2	2	2	2	2	2
	4108	Foam Tape 16' Roll – <b>APD ONLY</b>	-	2	2	-	-	-