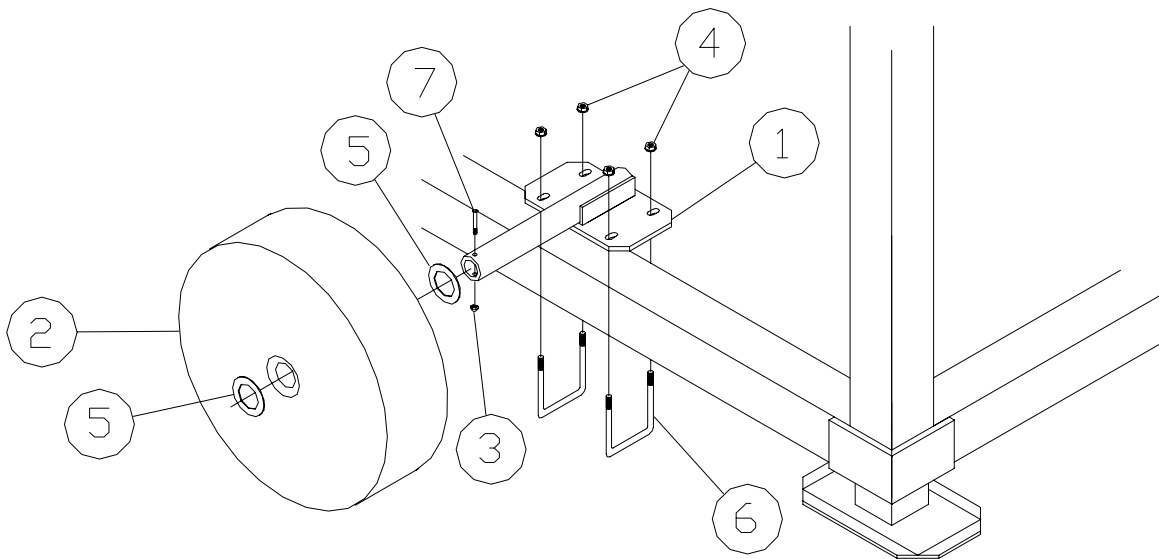


**88C WHEEL KIT W/WHEELS**  
**(FITS ALL 2000 - 3000 LIFTS AND 40113 CANTILEVER)**  
**91C WHEEL KIT W/WHEELS (FITS 4000 VERTICAL)**

**Thank you for purchasing our product!**  
 \*Please read and follow these instructions step by step\*

**STEP 1.** Place the wheel bracket (**REF. # 1**) onto the bottom side tube of the lift (if using two sets of brackets install them close to the corner uprights, if using one set install them close to the middle of the lift). **NOTE:** the wheel bracket may be installed on the top or bottom side of the tube. Secure with U-bolts and 7/16" flange nuts (**REF. # 6 & 4**). Slide a 3" washer (**REF. # 5**) onto the shaft of the wheel bracket, then the tire (**REF. # 2**), then another 3" washer (**REF. # 5**). Secure with 1/4" X 2 1/2" bolt and 1/4" acorn nut (**REF. # 7 & 3**).

**CAUTION:** The weight of the lift must be supported by the leveling legs before the lift is used.



**WHEEL KIT PARTS LIST**

<b>REF #</b>	<b>PART #</b>	<b>DESCRIPTION</b>	<b>88C QTY</b>	<b>91C QTY</b>
1	40F	WHEEL KIT BRACKET 2000-3000	2	-
	42F	WHEEL KIT BRACKET 4000V	-	2
2	4002	TIRES PLASTIC MOLDED	2	2
3	5041	NUT 1/4" ACORN	2	2
4	5158	7/16" FLANGE NUT	8	8
5	5077	WASHER 3" O.D.	4	4
6	5048	U-BOLT SQ. 7/16" X 3 1/16" X 4"	4	-
	5047	U-BOLT SQ. 7/16" X 3 9/16" X 3 1/2"	4	
	5104	U-BOLT SQ. 7/16" X 3 9/16" X 4 9/16"	-	4
7	5153	BOLT 1/4" X 2 1/2" GR 2	2	2