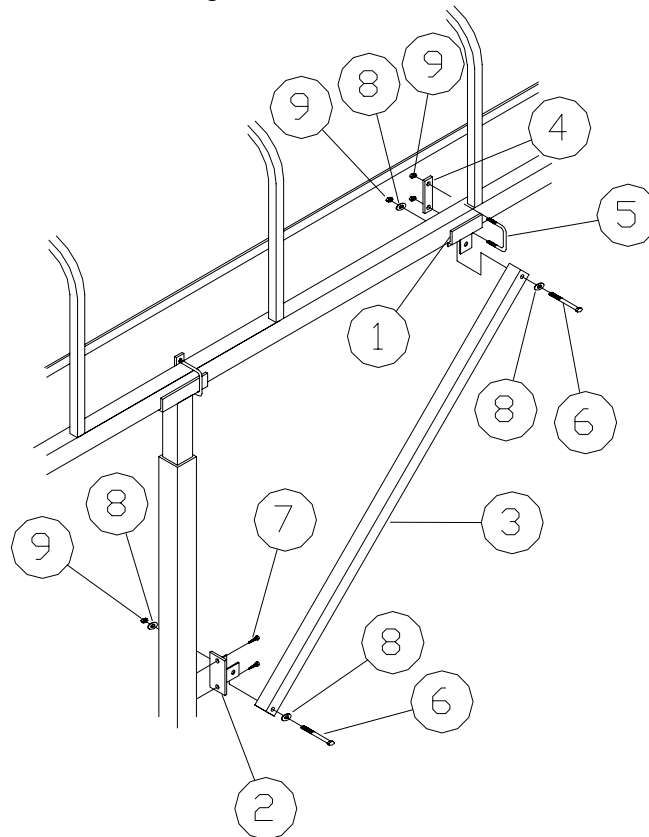


36R CANOPY BRACE

**Thank you for purchasing our product.
 Please read these instructions and follow them step by step.**

STEP 1. Hold the brace tube (**REF. NO. 3**) in place at an approximate 45° angle making sure that the top mounting bracket (**REF. NO. 1**) will not hit the canopy bow and the side bracket (**REF. NO. 2**) will be below the portion of the canopy upright that is inside the upright of the lift. Mark where bottom bracket will be. Bolt the bottom bracket to the center of the lift upright with 1/4" X 1 self tapping screws (**REF. NO. 7**). Bolt the brace tube to the bottom bracket with a 3/8" X 2 1/2" bolt, washers, and nuts (**REF. NO. 6, 8, & 9**) leaving loose at this time. Bolt the top bracket to the tube with a 3/8" X 2 1/2" bolt, washers, and nuts (**REF. NO. 6, 8, & 9**) leaving loose at this time. Bring the tube up so the top bracket is under the bottom tube of the canopy. Bolt the top bracket to the canopy as shown with a 2 1/2" U-bolt, canopy U-bolt plate, and 3/8" nut (**REF. NO. 5, 4, & 9**). Tighten all bolts at this time.



REF. #	Part #	Description	Qty
1	11R	CANOPY BRACE TOP BRACKET	2
2	12R	CANOPY BRACE SIDE BRACKET	2
3	60800	CANOPY BRACE TUBE	2
4	50027	CANOPY U-BOLT PLATE	2
5	5033	U-BOLT 2 1/2"	2
6	5083	3/8" X 2 1/2" BOLT	4
7	4991	1/4" X 14 X 1" SELF TAPPING SCREW	2
8	5070	3/8" WASHER	8
9	5056	3/8" NUT	8