

## 4'DOCKS

### A40 8' ACPD & A11 8' APPD POST DOCK SECTION

### L10 8' ACPD & L11 8' APPD POST DOCK W/ FOUR POCKETS L22 8' ACPD & L23

### 8' APPD POST DOCK POCKETS ON LONG SIDE

### L05 4' ACPD & L06 4' APPD POST DOCK SECTION

## 5'DOCKS

### L26 8' ACPD & L25 8' APPD POST DOCK SECTION

### L27 8' ACPD & L28 8' APPD POST DOCK W/ FOUR POCKETS

### L29 8' ACPD & L31 8' APPD POST DOCK W/PKTS ON THE LONG SIDE

### L35 4' ACPD & L36 4' APPD POST DOCK SECTION

**\*For Beige Decking Add the Letter B to model\***

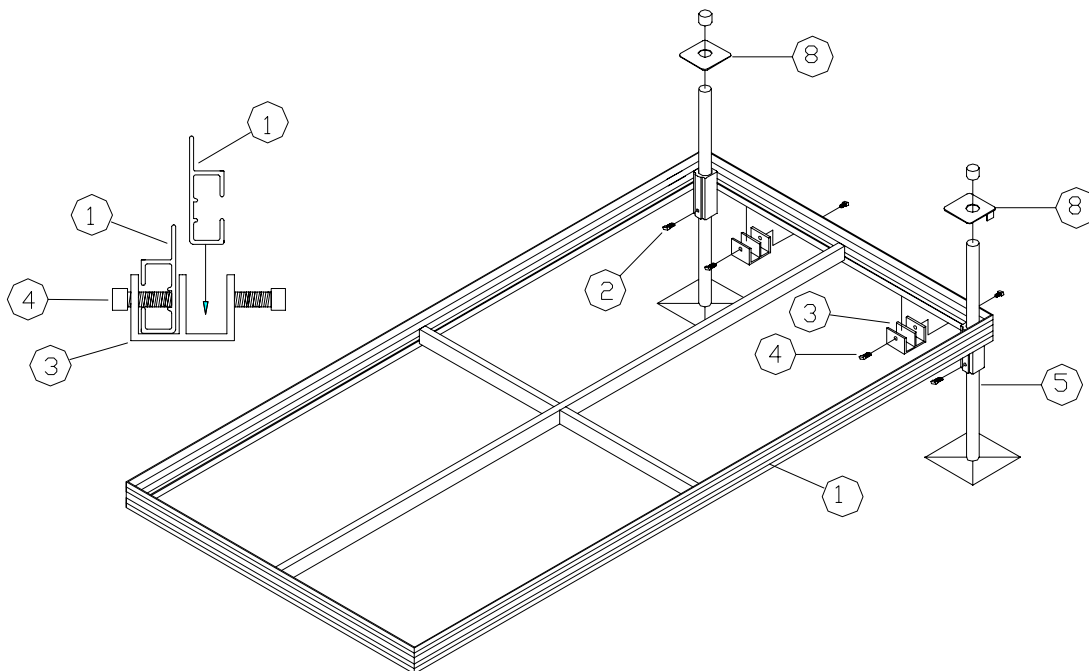
**Thank you for purchasing our product!**

**\*Please read and follow these instructions step by step\***

**Step 1.** Lay section on its side and insert optional dock post (**Ref. # 5**) with base to the bottom. Use two 1/2" x 3/4" set screws (**Ref. # 2**) into post bracket. Finger tighten. Set section upright. APPD Post Dock only - run the foam tape (**Ref. # 6**) on top of both side rails of post dock frame.

**Step 2.** If not adding additional sections go onto Step 3. If adding another section, use post dock connector brackets (**Ref. # 3**). Slip under bottom of section so that the outside edge of the bracket is about 7" from side of frame. Attach with 1/2" x 2" set screws (**Ref. # 4**)

**Step 3.** Adjust posts to desired height and tighten set screws. On APD models, run pvc foam tape on the top edge of the framework. Place cedar or aluminum panels on top of section to complete your post dock section. Section.



**NOTE:** After the panels are installed on the dock, slide a cover plate (**Ref.#8**) down each post and onto the deck. Place a post cap on to each post.

### ACPD & APPD 4' X 8' & 4' X 4' POST DOCKS

REF. #	PART #	DESCRIPTION	APD		APD		APD		APD	
			CPD	CPD	CPD	CPD	CPD	CPD	CPD	CPD
			A40	A11	L22	L23	L10	L11	L05	L06
1	B49	FRAME 4' X 8' 2 PKT	1	1	-	-	-	-	-	-
	B32	FRAME 4' X 8' 4 PKT	-	-	-	-	1	1	-	-
	B38	FRAME 4' X 8' 2 PKTS LONG SIDE	-	-	1	1	-	-	-	-
	B20	FRAME 4' X 4' 2 PKT	-	-	-	-	-	-	1	1
2	5170	1/2 "X 3/4" SET SCREW	2	2	2	2	4	4	2	2
3	30052	POST DOCK CONNECTOR BRKT	2	2	2	2	2	2	2	2
4	5173	1/2" X 2" SET SCREW	4	4	4	4	4	4	4	4
5	OPT	1 1/4" POST & PAD	2	2	2	2	4	4	2	2
	B48	CEDAR PANEL STRAIGHT - ACPD	1	-	-	-	-	-	-	-
	B58	CEDAR PANEL CUT OUT - ACPD	1	-	-	-	2	-	-	1
	B39	CEDAR PANEL RIGHT CUT OUT	-	-	1	-	-	-	-	-
	B40	CEDAR PANEL LEFT CUT OUT	-	-	1	-	-	-	-	-
	B86 (B)	ALUM. PANEL STRAIGHT - APPD	-	1	-	-	-	-	-	-
	B87 (B)	ALUM. PANEL CUT OUT - APPD	-	1	-	-	-	2	-	1
	B89 (B)	ALUM. PANEL L8 LEFT	-	-	-	1	-	-	-	-
	B90 (B)	ALUM. PANEL L8 RIGHT	-	-	-	1	-	-	-	-
6	4108	PVC TAPE - 16' (APD ONLY)	-	2	-	2	-	2	-	2
7	3842	COVER PLATE APPD WHITE	-	2	-	2	-	-	-	2
	3844	COVER PLATE APPD BEIGE	-	2	-	2	-	4	-	2
	3843	COVER PLATE CPPD BROWN	2	-	2	-	4	-	2	-

### 5' X 8' & 5' X 4' ACPD & APPD POST DOCKS

REF. #	PART #	DESCRIPTION	CPD		CPD		CPD		CPD	
			APD	APD	APD	APD	APD	APD	APD	APD
			L25	L26	L27	L28	L29	L31	L35	L36
1	F49	FRAME 4' X 8' 2 PKTS	1	1	-	-	-	-	-	-
	F32	FRAME 4' X 8' 4 PKT	-	-	1	1	-	-	-	-
	F38	FRAME 4' X 8' 2 PKT LONG SIDE	-	-	-	-	1	1	-	-
	B20	FRAME 4' X 4' 2 PKT	-	-	-	-	-	-	1	1
2	5170	1/2" X 3/4" SETSCREW	2	2	2	2	4	4	2	2
3	30052	POST DOCK CONNECTOR BRKT	2	2	2	2	2	2	2	2
4	5173	1/2" X 2" SET SCREW	4	4	4	4	4	4	4	4
5	OPT	1 1/4" POST & PAD	2	2	2	2	4	4	2	2
	BB1	CEDAR PANEL STRAIGHT	-	1	-	-	-	-	-	-
	B00	CEDAR PANEL CUT OUT	-	1	2	-	-	-	-	-
	B95	CEDAR PANEL SW CUT OUT	-	-	-	2	-	-	-	-
	BB2	CEDAR PANEL RIGHT CUT OUT	-	-	-	-	1	-	-	-
	BB3	CEDAR PANEL LEFT CUT OUT	-	-	-	-	1	-	-	-
	B95 (B)	ALUM. PANEL SW CUT OUT	-	-	-	-	-	-	1	1
	B13 (B)	ALUM. PANEL STRAIGHT	1	-	-	-	-	-	-	-
	B73 (B)	ALUM. PANEL LEFT CUT OUT	-	-	-	-	-	1	-	-
	B81 (B)	ALUM. PANEL RIGHT CUT OUT	-	-	-	-	-	1	-	-
	B42 (B)	ALUM PANEL PD 2 PKT CUTOUT	1	-	-	-	-	-	-	-
6	4108	APD PVC TAPE 16'	-	-	2	-	-	2	-	-
7	3840	COVER PLATE APPD WHITE	2	-	-	4	-	2	-	2
	3845	COVER PLATE APPD BEIGE	2	-	-	-	-	2	-	2
	3841	COVER PLATE CPD BROWN	-	2	4	-	2	-	2	-

\*\*\*NOTE: 1 1/4" CAPS COME W/ABOVE OPTIONAL POSTS