

**ALUMINUM PANEL DOCK ADD ONS**  
**A83 - R44 - R13 5' X 8' ADD ON SECTION**  
**E50 - R45 5' X 10'5 ADD ON SECTION**  
**E44 - R43 5' X 16' ADD ON SECTION**

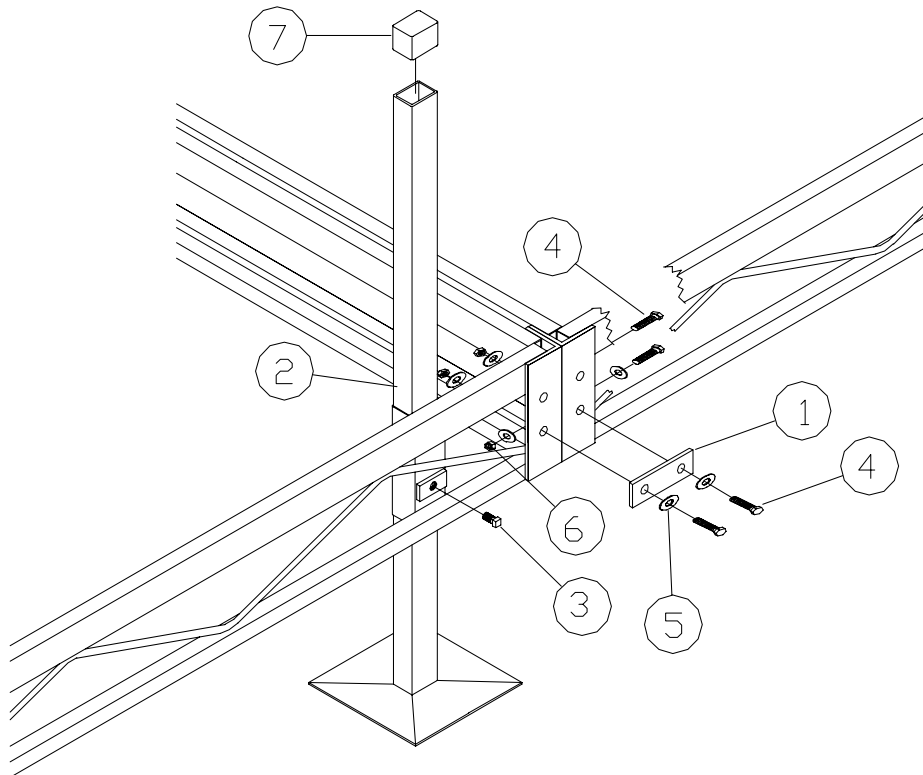
**CEDAR PANEL DOCK ADD ONS**  
**A91 - R54 - R14 5' X 8' ADD ON SECTION**  
**E51 - R55 5' X 10'5 ADD ON SECTION**  
**E45 - R53 5' X 16' ADD ON SECTION**

**\*For Beige Decking Add the letter B to Model\***

**Thank you for purchasing our product!**  
**Please read these instructions and follow them step by step.\***

Turn add on section on its side and insert aluminum dock post (**REF. # 2**) into dock post pocket and tighten with 1/2" X 3/4" set screw (**REF. # 3**) (Finger tighten at this time). Place add on sections together and fasten thru the two end holes of the frame with 1/2" X 1 1/4" bolts, 7/16" washers and 1/2" nuts (**REF. # 4, 5 & 6**). Then locate your dock connector bracket (**REF. # 1**) and place on the two bottom holes on the outside of framework and fasten with (**REF. # 4, 5 & 6**). Adjust your dock to desired height then tighten set screws on dock post.

**NOTE:** On APD models run foam tape on top edge of framework. After the panels are installed on the dock, slide a cover plate (**Ref. #8**) down each dock post and onto the deck.. Place a rectangular post cap (**Ref. #7**) onto each post.



**PARTS LIST FOR APD/CPD 5' X 8', 10'5 & 16' ADD ONS**

<b>REF. NO.</b>	<b>PART NO.</b>	<b>DESCRIPTION</b>	<b>2 PKT QTY</b>	<b>4 PKT QTY</b>
1	10200	DOCK CONNECTOR BRACKET	2	2
2	C27	ALUMINUM DOCK POST	2	-
3	5170	1/2"X 1" SET SCREW	2	4
4	5126	1/2"X 1 1/4" BOLT	8	8
5	5069	7/16" WASHERS	16	16
6	5058	1/2" NUT 8	8	8
7	3803	RECTANGULAR POST CAP	2	-
	4108	16' FOAM TAPE (APD 8' ONLY)	2	2
		(APD 16' ONLY)	4	4
8	3842	COVER PLATE <b>APD</b> WHITE EACH POST PKT	2	4
	3845	COVER PLATE <b>APD</b> BEIGE EACH POST PKT	2	4
	3841	COVER PLATE <b>CPD</b> BROWN EACH POST PKT	2	4

**FRAMES**

F99	FRAME APD/CPD 5' X 8' ADD ON
M05	FRAME APD/CPD 5' X 8' 4/PKT ADD ON
F82	FRAME APD/CPD 5' X 8' PKTS LONGSIDE
B72	FRAME APD/CPD 5' X 10'5 ADD ON
M06	FRAME APD/CPD 5' X 10'5 4/PKT ADD ON
F98	FRAME APD/CPD 5' X 16' ADD ON
M04	FRAME APD/CPD 5' X 16' 4/PKT ADD ON

**ALUMINUM PANELS**

<b>DOCK#</b>	<b>DESCRIPTION</b>	<b>BB7 (B)</b>	<b>BB10 (B)</b>	<b>BB11 (B)</b>	<b>B13(B)</b>	<b>B16 (B)</b>
A83	AL PANEL 5' STRAIGHT	-	-	-	1	-
	AL PANEL 5' ADD ON CUTOUT	-	-	-	-	1
R44	AL PANEL 5' ADD ON CUTOUT	-	-	-	-	2
R13	AL PANEL 5' ADD ON LEFT CUT	-	-	1	-	-
	AL PANEL 5' ADD ON RIGHT CUT	-	1	-	-	-
E50	AL PANEL 2'.5 STRAIGHT	1	-	-	-	-
	AL PANEL 5' STRAIGHT	-	-	-	1	-
	AL PANEL 5' ADD ON CUTOUT	-	-	-	-	1
R45	AL PANEL 2'.5 STRAIGHT	1	-	-	-	-
	AL PANEL 5' ADD ON CUTOUT	-	-	-	-	2
E44	AL PANEL 5' STRAIGHT	-	-	-	3	-
	AL PANEL 5' ADD ON CUTOUT	-	-	-	-	1
R43	AL PANEL 5' STRAIGHT	-	-	-	2	-
	AL PANEL 5' ADD ON CUTOUT	-	-	-	-	2

**CEDAR PANELS**

<b>DOCK#</b>	<b>DESCRIPTION</b>	<b>BB4</b>	<b>BB5</b>	<b>BB6</b>	<b>B10</b>	<b>B18</b>
A91	CEDAR PANEL 5' STRAIGHT	-	-	-	1	-
	CEDAR PANEL 5' ADD ON CUT	-	-	-	-	1
R54	CEDAR PANEL 5' ADD ON CUT	-	-	-	-	2
R14	CEDAR PANEL 5' ADD LEFT CUT	-	1	-	-	-
	CEDAR PANEL 5' ADD RIGHT CUT	-	-	1	-	-
E51	CEDAR PANEL 5' STRAIGHT	-	-	-	1	-
	CEDAR PANEL 5' ADD ON CUT	-	-	-	-	1
	CEDAR PANEL 2'.5 STRAIGHT	1	-	-	-	-
R55	CEDAR PANEL 5' ADD ON CUT	-	-	-	-	2
	CEDAR PANEL 2'.5 STRAIGHT	1	-	-	-	-
E44	CEDAR PANEL 5' STRAIGHT	-	-	-	3	-
	CEDAR PANEL 5' ADD ON CUT	-	-	-	-	1
E45	CEDAR PANEL 5' ADD ON CUT	-	-	-	2	2