

PORTA-DOCK, INC.

Thank you for purchasing a Porta-Dock product!

ALUMINUM DEEP SIDE 4' X 16', 10'5" & 8' ADD ON DOCKS

AA 16'ADDON AD25/AD30AA 10'5" ADDON AD35/AD40**AA 8'ADDON AD45/AD50/AD55**

CPD 16'ADDON AW25/AW30CPD 10'5"ADDON AW35/AW40**CPD 8'ADDON AW45/AW50/AW55**

APD 16'ADDON AP25/AP30APD 10'5" ADDON AP35/AP40**APD 8'ADDON AP45/AP50/AP55**

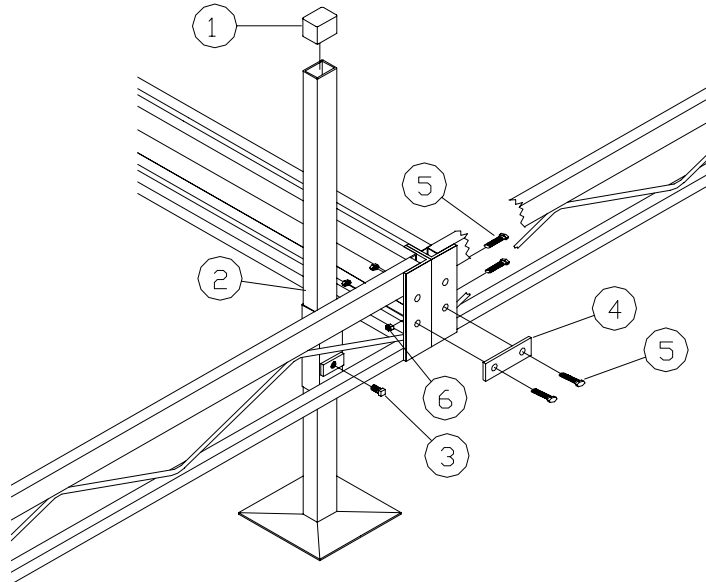
For Beige Decking Add The Letter B to the Model

Turn add on section on its side and insert aluminum dock post (REF. NO 2) into dock post pocket and tighten with 1/2"x 3/4" set screw (REF.NO 3) (Finger tighten at this time). Place add on sections together and fasten thru the two end holes of the frame with 1/2"x 1 1/4" bolts, 7/16" washers and 1/2" nuts (REF. NO 5,6 & 7). Then locate your dock connector bracket (REF. NO 4) and place on the two bottom holes on the outside of framework and fasten with (REF. NO 5, 6 & 7). Adjust your dock to desired height then tighten set screws on dock post.

**** 4 Pocket Docks 30, 40 & 50 DOES NOT INCLUDE POSTS**

NOTE: On APD models run foam tape on top edge of framework. After the panels are installed on the dock, slide a cover plate (Ref. #8) down each dock Post and onto the deck. Place a rectangular post cap (Ref. #1) onto each post.

| REF # | PART # | DESCRIPTION | QUANTITY | | |
|-------|--------|-----------------------------|----------|-----|----|
| | | | APD | CPD | AA |
| 1 | 3803 | RECTANGULAR POST CAP 2/PKT | 2 | 2 | 2 |
| | | RECTANGULAR POST CAP 4PKT | 4 | 4 | 4 |
| 2 | C27 | ALUMINUM DOCK POST | 2 | 2 | 2 |
| 3 | 5170 | 1/2"X 3/4" SET SCREW 2/PKT | 2 | 2 | 2 |
| | 5170 | 1/2" X 3/4" SET SCREW 4/PKT | 4 | 4 | 4 |
| 4 | 10200 | DOCK CONNECTOR BRACKET | 2 | 2 | 2 |
| 5 | 5126 | 1/2"X 1 1/4" BOLT | 8 | 8 | 8 |
| 6 | 5069 | 7/16" WASHERS | 16 | 16 | 16 |
| 7 | 5058 | 1/2" NUT | 8 | 8 | 8 |
| | 4108 | 16' FOAM TAPE (APD 8' ONLY) | 2 | - | - |
| | | (APD 16' ONLY) | 4 | - | - |
| 8 | 3840 | COVER PLATE APD WHITE | 2 | - | - |
| | 3845 | COVER PLATE APD BEIGE | 2 | - | - |
| | 3841 | COVER PLATE CPD BROWN | - | 2 | - |



FRAMES

| FRAME # | DESCRIPTION |
|----------------|---|
| M21 | AA 4' X 16' DEEP SIDE 2/POCKET |
| M22 | AA 4' X 16' DEEP SIDE 4/POCKET |
| M23 | AA 4' X 10' 5" DEEP SIDE 2/POCKET |
| M24 | AA 4' X 10' 5" DEEP SIDE 4/POCKET |
| M28 | AA 4' X 8' DEEP SIDE 2/POCKET |
| M29 | AA 4' X 8' DEEP SIDE 4/POCKET |
| M30 | AA 4' X 8' DEEP SIDE POCKETS LONGSIDE |
| M61 | APD/CPD 4' X 16' DEEP SIDE 2/POCKET |
| M62 | APD/CPD 4' X 16' DEEP SIDE 4/POCKET |
| M63 | APD/CPD 4' X 10' 5" DEEP SIDE 2/POCKET |
| M64 | APD/CPD 4' X 10' 5" DEEP SIDE 4/POCKET |
| M65 | APD/CPD 4' X 8' DEEP SIDE 2/POCKET |
| M66 | APD/CPD 4' X 8' DEEP SIDE 4/POCKET |
| M67 | APD/CPD 4' X 8' DEEP SIDE POCKETS ON LONGSIDE |

ALUMINUM PANELS

| DOCK # | DESCRIPTION | B12(B) | B14 (B) | B17 (B) | B86 (B) | B88 (B) |
|---------------|-----------------------------|---------------|----------------|----------------|----------------|----------------|
| AP25 (B) | 4' X 4' STRAIGHT- | - | - | - | 3 | - |
| | 4' X 4' ADD ON CUTOUT | - | - | - | 1 | - |
| AP30 (B) | 4' X 4' STRAIGHT | - | - | - | 2 | - |
| | 4' X 4' ADD ON CUTOUT | - | - | - | - | 2 |
| AP35 (B) | 2' 6" X 4' STRAIGHT | - | - | 1 | - | - |
| | 4' X 4' STRAIGHT | - | - | - | - | 1 |
| | 4' X 4' ADD ON CUTOUT | - | - | - | 1 | - |
| AP40 (B) | 2' 6" X 4' STRAIGHT | - | - | 1 | - | - |
| | 4' X 4' ADD ON CUTOUT | - | - | - | - | 2 |
| AP45 (B) | 4' X 4' STRAIGHT | - | - | - | 1 | - |
| | 4' X 4' ADD ON CUTOUT | - | - | - | - | 1 |
| AP50 (B) | 4' X 4' ADD ON CUTOUT | - | - | - | - | 2 |
| AP55 (B) | 4' X 4' ADD ON LEFT CUTOUT | - | 1 | - | - | - |
| | 4' X 4' ADD ON RIGHT CUTOUT | 1 | - | - | - | - |

CEDAR PANELS

| DOCK # | DESCRIPTION | BB8 | B34 | B37 | B51 | B53 |
|---------------|-----------------------------|------------|------------|------------|------------|------------|
| AW25 | 4' X 4' ADD ON CUTOUT | - | - | - | 1 | - |
| | 4' X 4' STRAIGHT | - | - | - | - | 3 |
| AW30 | 4' X 4' ADD ON CUTOUT | - | - | - | 2 | - |
| | 4' X 4' STRAIGHT | - | - | - | - | 2 |
| AW35 | 2' 6" X 4' STRAIGHT | 1 | - | - | - | - |
| | 4' X 4' ADD ON CUTOUT | - | - | - | - | 1 |
| AW40 | 2' 6" X 4' STRAIGHT | 1 | - | - | - | - |
| | 4' X 4' ADD ON CUTOUT | - | - | - | 2 | - |
| AW45 | 4' X 4' ADD ON CUTOUT | - | - | - | 1 | - |
| | 4' X 4' STRAIGHT | - | - | - | - | 1 |
| AW50 | 4' X 4' ADD ON CUTOUT | - | - | - | 2 | - |
| AW55 | 4' X 4' ADD ON RIGHT CUTOUT | - | 1 | - | - | - |
| | 4' X 4' ADD ON LEFT CUTOUT | - | - | 1 | - | - |